

NX I/O

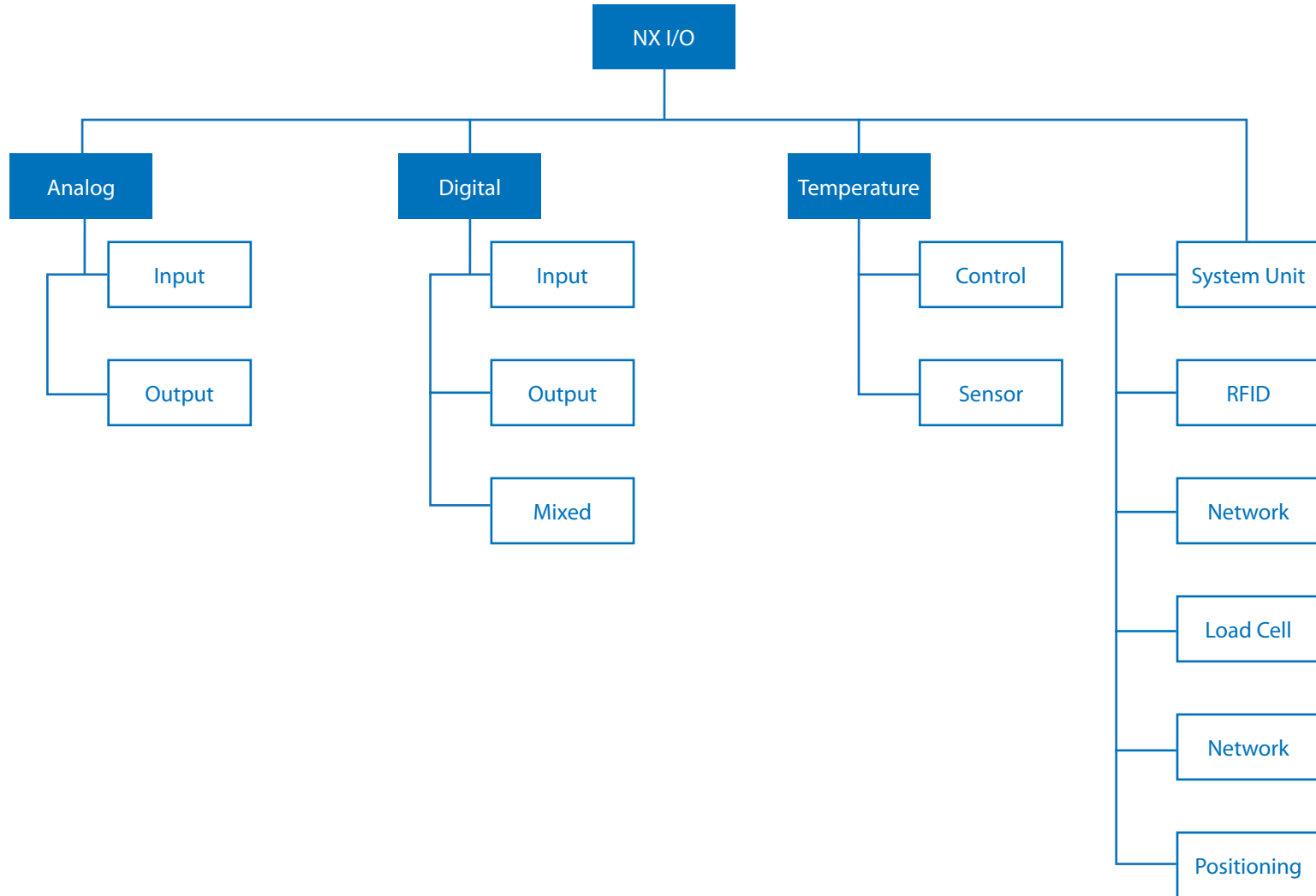
Component selection guide



Table of Contents

Portfolio Overview	3
Analog Input	4
Analog Input	6
Analog Output	8
Digital Mixed Input/Output	10
Digital Input	12
Digital Output	14
Digital Output	16
Temperature Control	18
Sensor Controllers	20
RFID and Load Cell	22
Networks	24
System Unit	26
Positioning	28

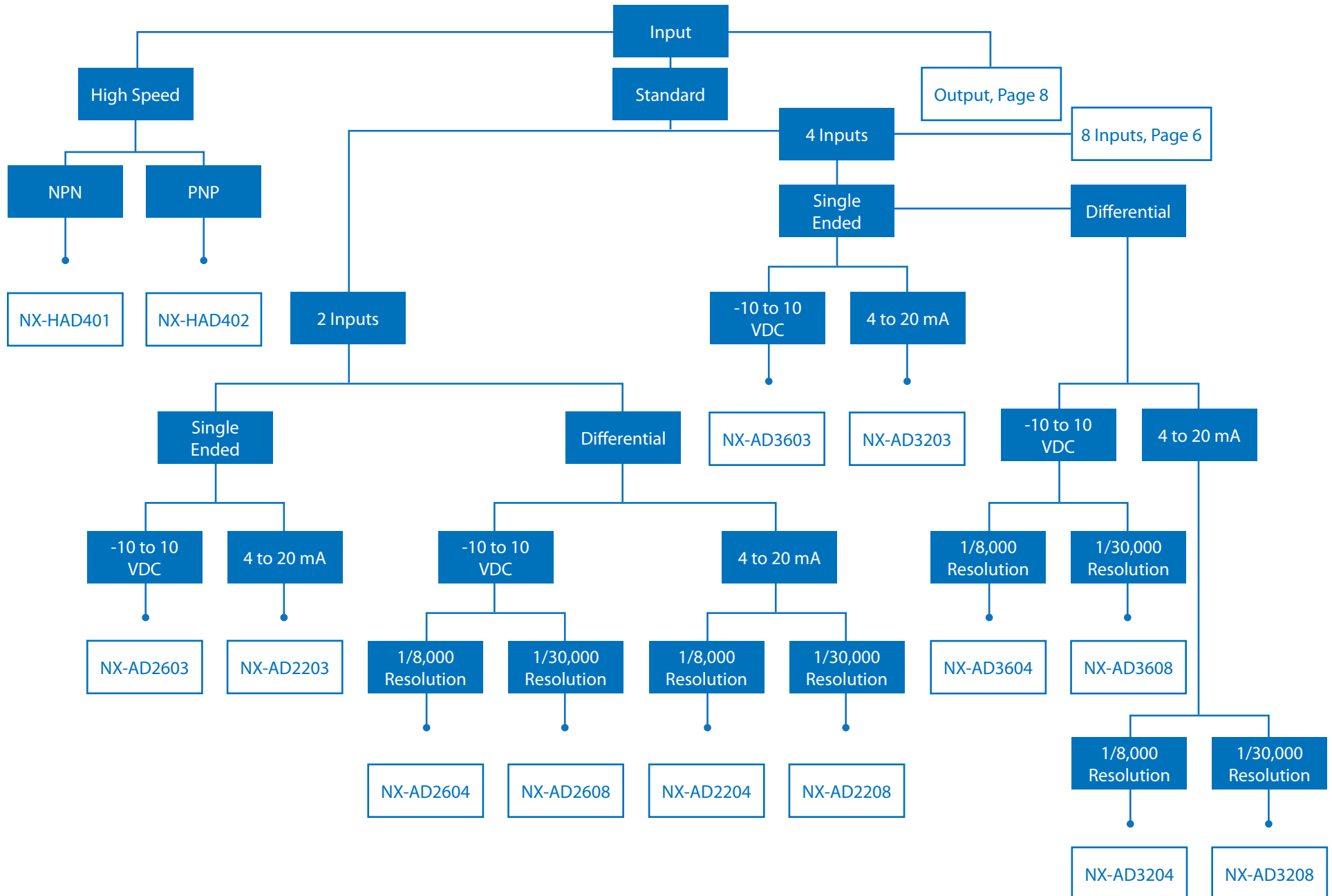
Portfolio Overview



Analog



Click on the model name to learn more



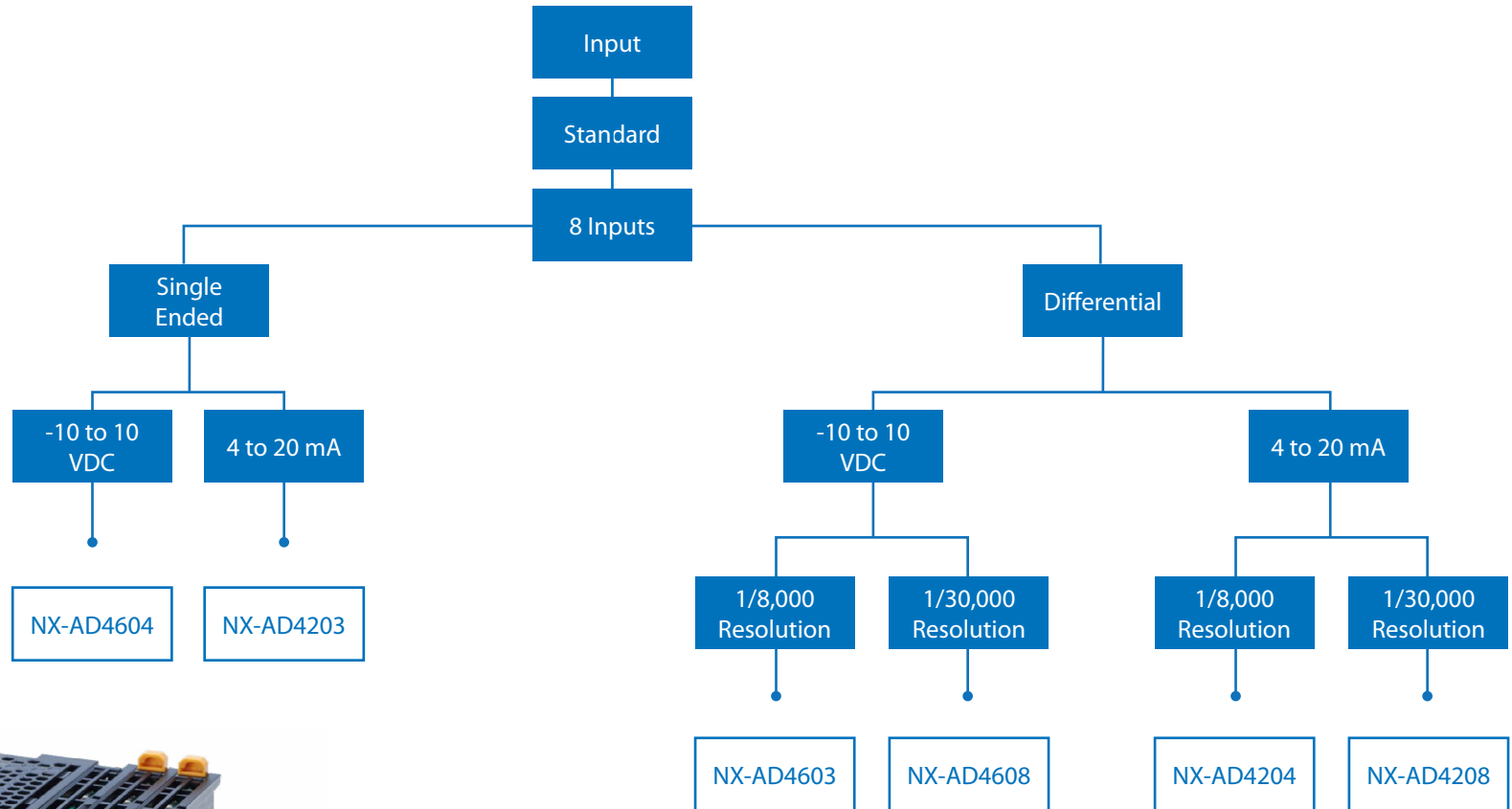
Suggested Part Numbers

Part Number	Input/ Output	Number of Points	Input Method	Input Type/Range	Resolution	I/O Refreshing Method	Width
NX-AD2203	Input	2	Single Ended	4 to 20mA	1/8,000	Free-Run	12 mm
NX-AD2204	Input	2	Differential Input	4 to 20mA	1/8,000	Free-Run	12 mm
NX-AD2208	Input	2	Differential Input	4 to 20mA	1/30,000	Selectable	12 mm
NX-AD2603	Input	2	Single Ended	-10 to 10VDC	1/8,000	Free-Run	12 mm
NX-AD2604	Input	2	Differential Input	-10 to 10VDC	1/8,000	Free-Run	12 mm
NX-AD2608	Input	2	Differential Input	-10 to 10VDC	1/30,000	Selectable	12 mm
NX-AD3203	Input	4	Single Ended	4 to 20mA	1/8,000	Free-Run	12 mm
NX-AD3204	Input	4	Differential Input	4 to 20mA	1/8,000	Free-Run	12 mm
NX-AD3208	Input	4	Differential Input	4 to 20mA	1/30,000	Selectable	12 mm
NX-AD3603	Input	4	Single Ended	-10 to 10VDC	1/8,000	Free-Run	12 mm
NX-AD3604	Input	4	Differential Input	-10 to 10VDC	1/8,000	Free-Run	12 mm
NX-AD3608	Input	4	Differential Input	-10 to 10VDC	1/30,000	Selectable	12 mm
NX-HAD401	Input	4	High Speed(NPN)	-10 to 10 VDC -5 to 5 VDC 0 to 10 VDC 0 to 5 VDC 1 to 5 VDC 0 to 20 mA 4 to 20 mA		Synchronous	24 mm
NX-HAD402	Input	4	High Speed (PNP)	-10 to 10 VDC -5 to 5 VDC 0 to 10 VDC 0 to 5 VDC 1 to 5 VDC 0 to 20 mA 4 to 20 mA		Synchronous	24 mm

Analog



Click on the model name to learn more



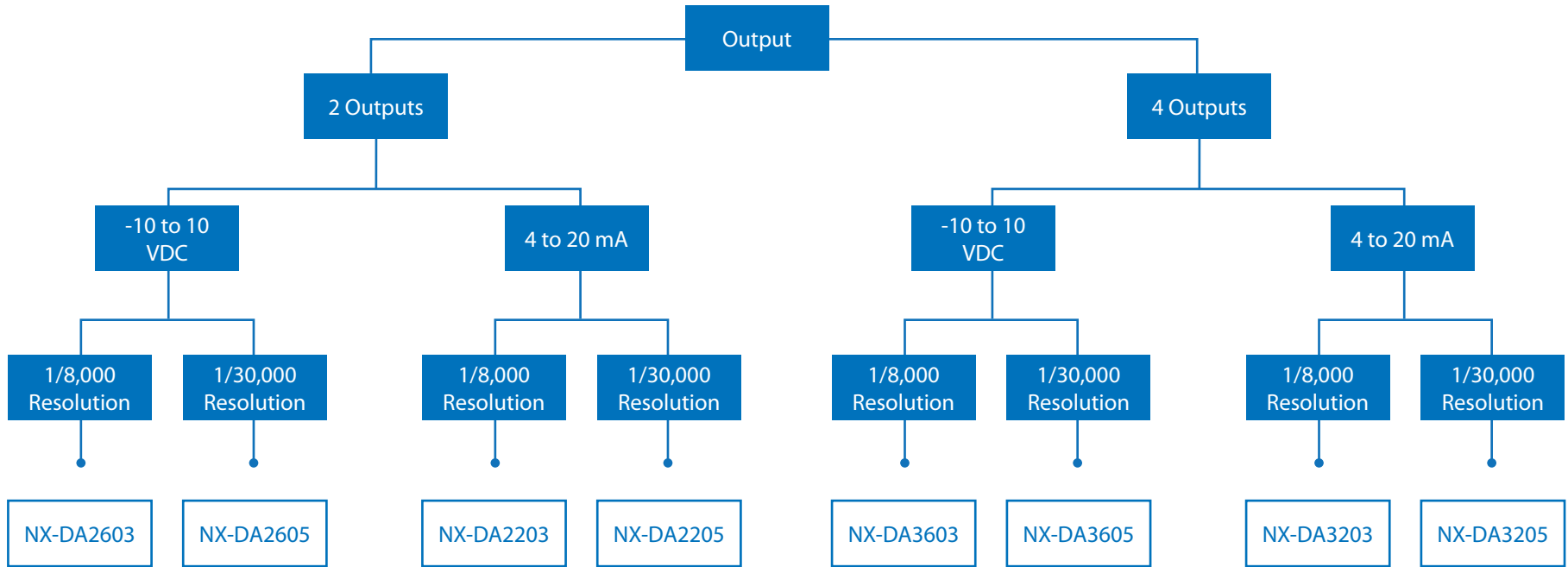
Suggested Part Numbers

Part Number	Input/ Outpt	Number of Points	Input Method	Input Type/Range	Resolution	I/O Refreshing Method	Width
NX-AD4203	Input	8	Single Ended	4 to 20mA	1/8,000	Free-Run	12 mm
NX-AD4204	Input	8	Differential Input	4 to 20mA	1/8,000	Free-Run	12 mm
NX-AD4208	Input	8	Differential Input	4 to 20mA	1/30,000	Selectable	12 mm
NX-AD4603	Input	8	Differential Input	-10 to 10VDC	1/8,000	Selectable	12 mm
NX-AD4604	Input	8	Single Ended	-10 to 10VDC	1/8,000	Selectable	12 mm
NX-AD4608	Input	8	Differential Input	-10 to 10VDC	1/30,000	Selectable	12 mm

Analog



Click on the model name to learn more



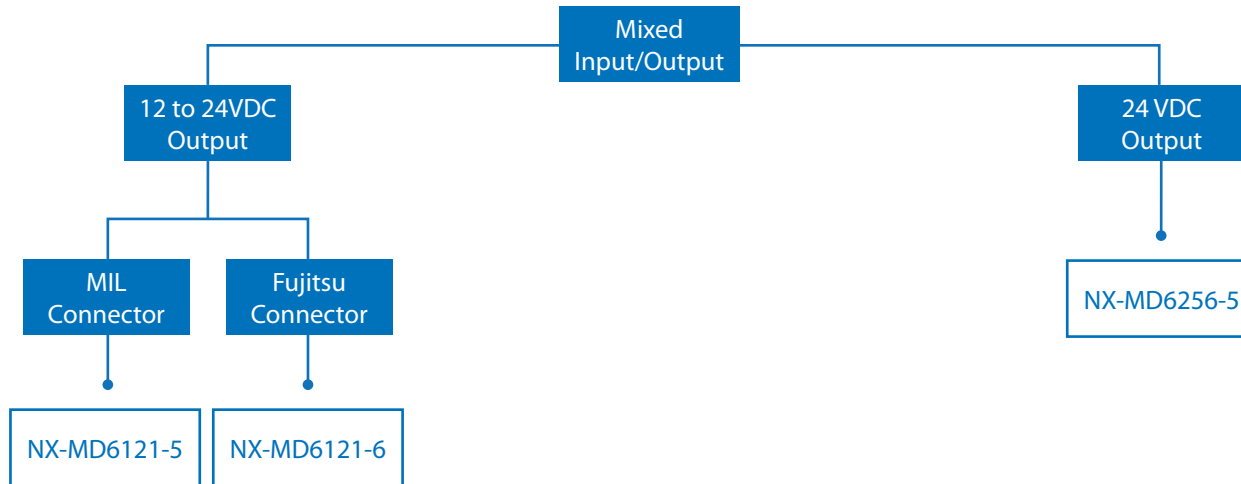
Suggested Part Numbers

Part Number	Input/ Output	Number of Points	Range	Output Setting value	Accuracy	Resolution	I/O Refreshing Method	Width
NX-DA2603	Output	2	-10 to 10V	-4,000 to 4,000	+/- 0.30% (full scale)	1/8,000	Free-Run	12 mm
NX-DA2605	Output	2	-10 to 10V	-15,000- 15,000	+/- 0.10% (full scale)	1/30,000	Selectable	12 mm
NX-DA3603	Output	4	-10 to 10V	-4,000 to 4,000	+/- 0.30% (full scale)	1/8,000	Free-Run	12 mm
NX-DA3605	Output	4	-10 to 10V	-15,000- 15,000	+/- 0.10% (full scale)	1/30,000	Selectable	12 mm
NX-DA2203	Output	2	4 to 20mA	0 to 8,000	+/- 0.30% (full scale)	1/8,000	Free-Run	12 mm
NX-DA2205	Output	2	4 to 20mA	0 to 30,000	+/- 0.10% (full scale)	1/30,000	Selectable	12 mm
NX-DA3203	Output	4	4 to 20mA	0 to 8,000	+/- 0.30% (full scale)	1/8,000	Free-Run	12 mm
NX-DA3205	Output	4	4 to 20mA	0 to 30,000	+/- 0.10% (full scale)	1/30,000	Selectable	12 mm

Digital



Click on the model name to learn more



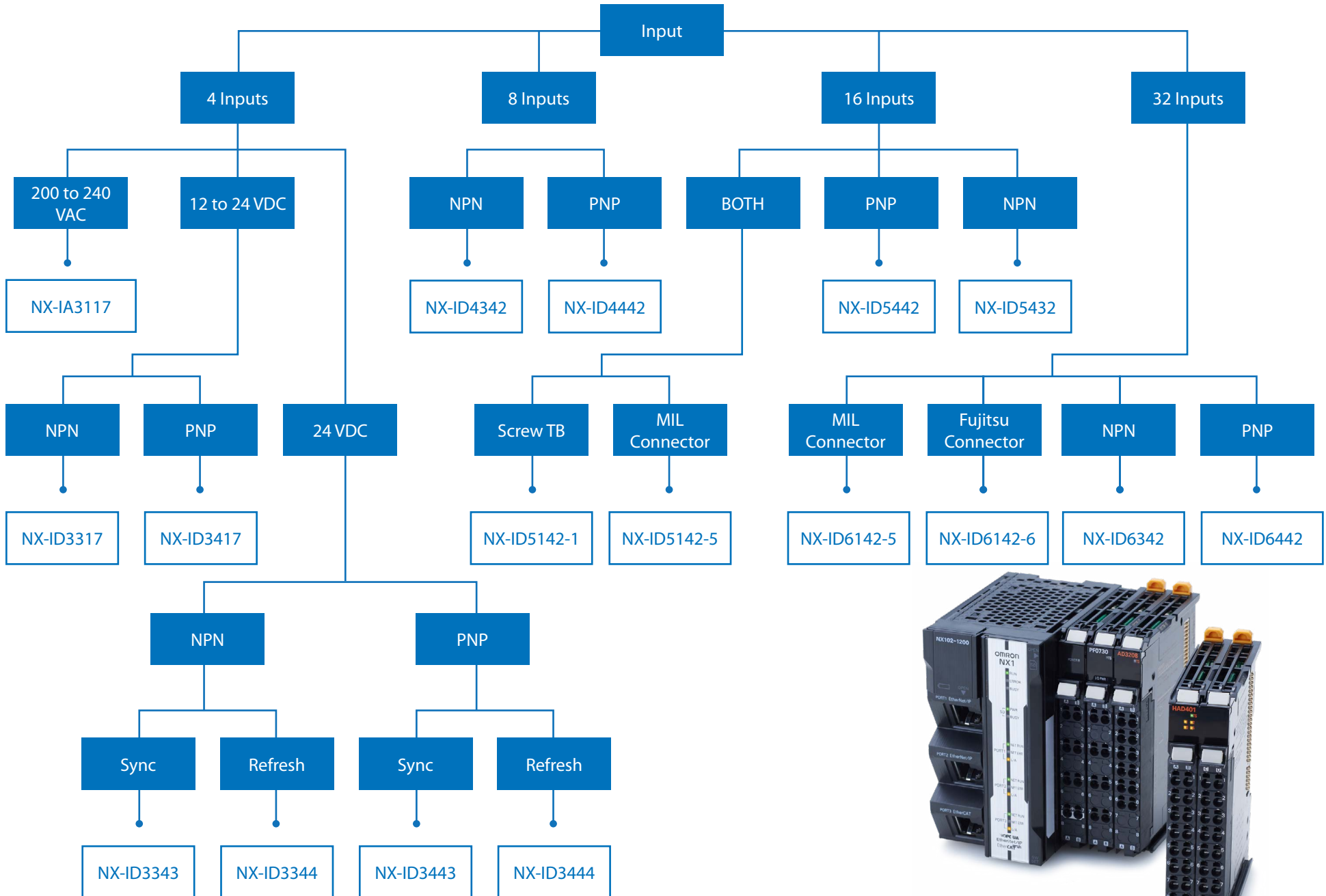
Suggested Part Numbers

Part Number	Number of Points	NPN/PNP	Rated Voltage	IO Refresh	Connection	Width
NX-MD6121-5	32	NPN Out, Both In	Outputs 12 to 24 VDC, inputs 24 VDC	Switching sync	MIL connector	30 mm
NX-MD6121-6	32	NPN Out, Both In	Outputs 12 to 24 VDC, inputs 24 VDC	Switching sync	Fujitsu	30 mm
NX-MD6256-5	32	PNP Out, Both in	Outputs 24 VDC, inputs 24 VDC	Switching sync	MIL connector	30 mm

Digital



Click on the model name to learn more



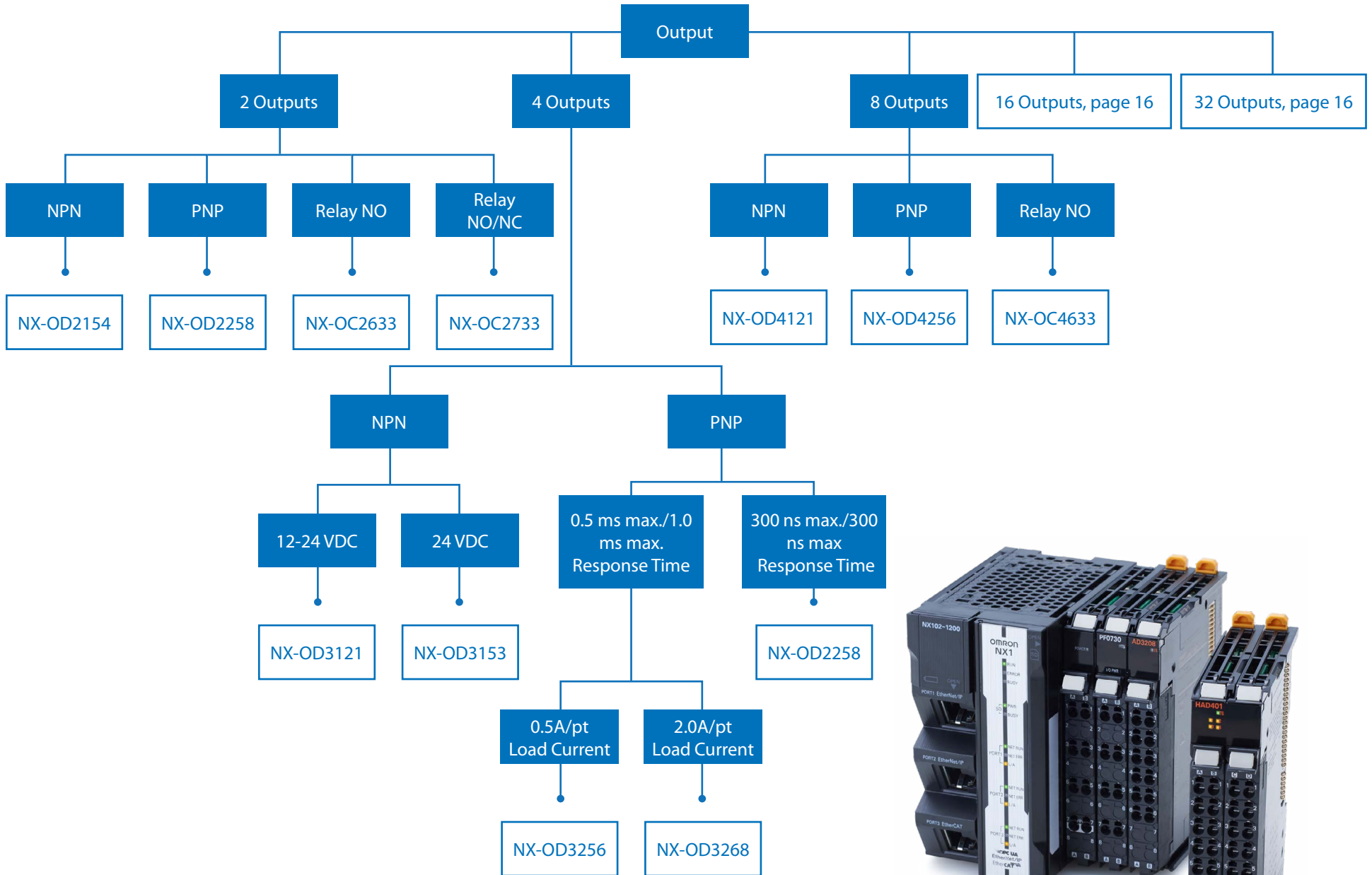
Suggested Part Numbers

Part Number	Number of Points	NPN/PNP	Rated Voltage	IO Refresh	High Speed Input	Connection	Width
NX-IA3117	4	VAC	200-240 VAC, 50/60 Hz	Free-Run	No	Screwless Clamp TB	12 mm
NX-ID3317	4	NPN	12 to 24 VDC	Switching sync	No	Screwless Clamp TB	12 mm
NX-ID3343	4	NPN	24 VDC	Switching sync	Yes	Screwless Clamp TB	12 mm
NX-ID3344	4	NPN	24 VDC	Input refreshing with input changed time	Yes	Screwless Clamp TB	12 mm
NX-ID3417	4	PNP	12 to 24 VDC	Switching sync	No	Screwless Clamp TB	12 mm
NX-ID3443	4	PNP	24 VDC	Switching sync	Yes	Screwless Clamp TB	12 mm
NX-ID3444	4	PNP	24 VDC	Input refreshing with input changed time	Yes	Screwless Clamp TB	12 mm
NX-ID4342	8	NPN	24 VDC	Switching sync	No	Screwless Clamp TB	12 mm
NX-ID4442	8	PNP	24 VDC	Switching sync	No	Screwless Clamp TB	12 mm
NX-ID5142-1	16	BOTH	24 VDC	Switching sync	No	Screw TB	30 mm
NX-ID5142-5	16	BOTH	24 VDC	Switching sync	No	MIL connector	30 mm
NX-ID5342	16	NPN	24 VDC	Switching sync	No	Screwless Clamp TB	12 mm
NX-ID5442	16	PNP	24 VDC	Switching sync	No	Screwless Clamp TB	12 mm
NX-ID6142-5	32	BOTH	24 VDC	Switching sync	No	MIL connector	30 mm
NX-ID6142-6	32	BOTH	24 VDC	Switching sync	No	Fujitsu	30 mm
NX-ID6342	32	NPN	24 VDC	Switching sync	No	Screwless Clamp TB	26 mm
NX-ID6442	32	PNP	24 VDC	Switching sync	No	Screwless Clamp TB	26 mm

Digital



Click on the model name to learn more



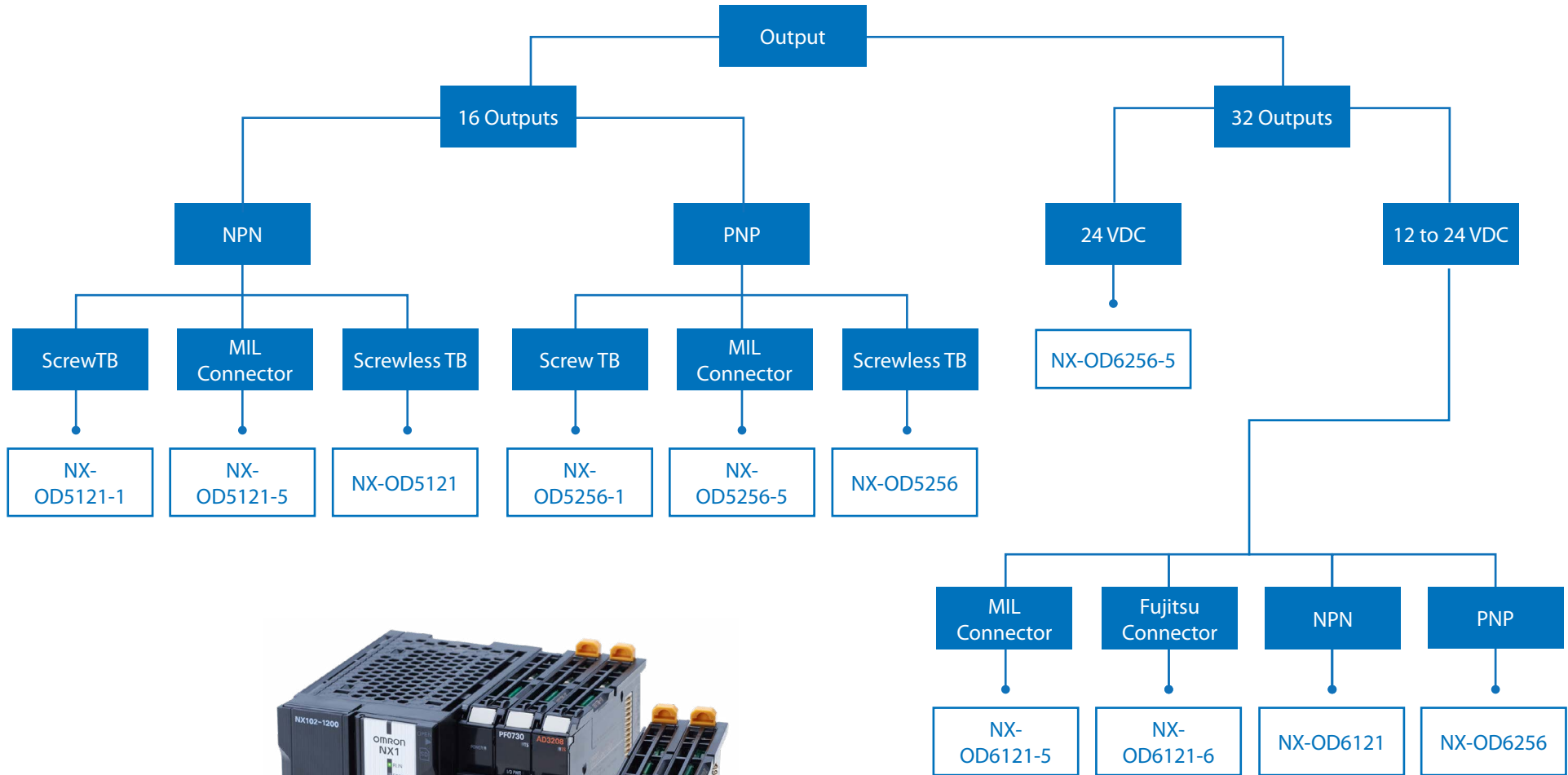
Suggested Part Numbers

Part Number	Number of Points	NPN/PNP	Max Load Current	Rated Voltage	IO Refresh	High Speed Input	Connection	Width
NX-OC2633	2	Relay NO	2.0 A/point	250 VAC, 24 VDC	Free-Run	No	Screwless Clamp TB	12 mm
NX-OC2733	2	Relay NO/NC	2.0 A/point	250 VAC, 24 VDC	Free-Run	No	Screwless Clamp TB	12 mm
NX-OC4633	8	Relay NO	2.0 A/point	250 VAC, 24 VDC	Free-Run	No	Screwless Clamp TB	12 mm
NX-OD2154	2	NPN	0.5A/point	24 VDC	Specified Time stamp	Yes	Screwless Clamp TB	12 mm
NX-OD2258	2	PNP	0.5A/Point	24 VDC	Specified Time stamp	Yes	Screwless Clamp TB	12 mm
NX-OD3121	4	NPN	0.5A/Point	12-24 VDC	Switching sync	No	Screwless Clamp TB	12 mm
NX-OD3153	4	NPN	0.5A/Point	24 VDC	Switching sync	No	Screwless Clamp TB	12 mm
NX-OD3256	4	PNP	0.5A/Point	24 VDC	Switching sync	No	Screwless Clamp TB	12 mm
NX-OD3257	4	PNP	0.5A/Point	24 VDC	Switching sync	No	Screwless Clamp TB	12 mm
NX-OD3268	4	PNP	2.0 A/point	24 VDC	Switching sync	No	Screwless Clamp TB	12 mm
NX-OD4121	8	NPN	0.5A/Point	12-24 VDC	Switching sync	No	Screwless Clamp TB	12 mm
NX-OD4256	8	PNP	0.5A/Point	24 VDC	Switching sync	No	Screwless Clamp TB	12 mm

Digital



Click on the model name to learn more



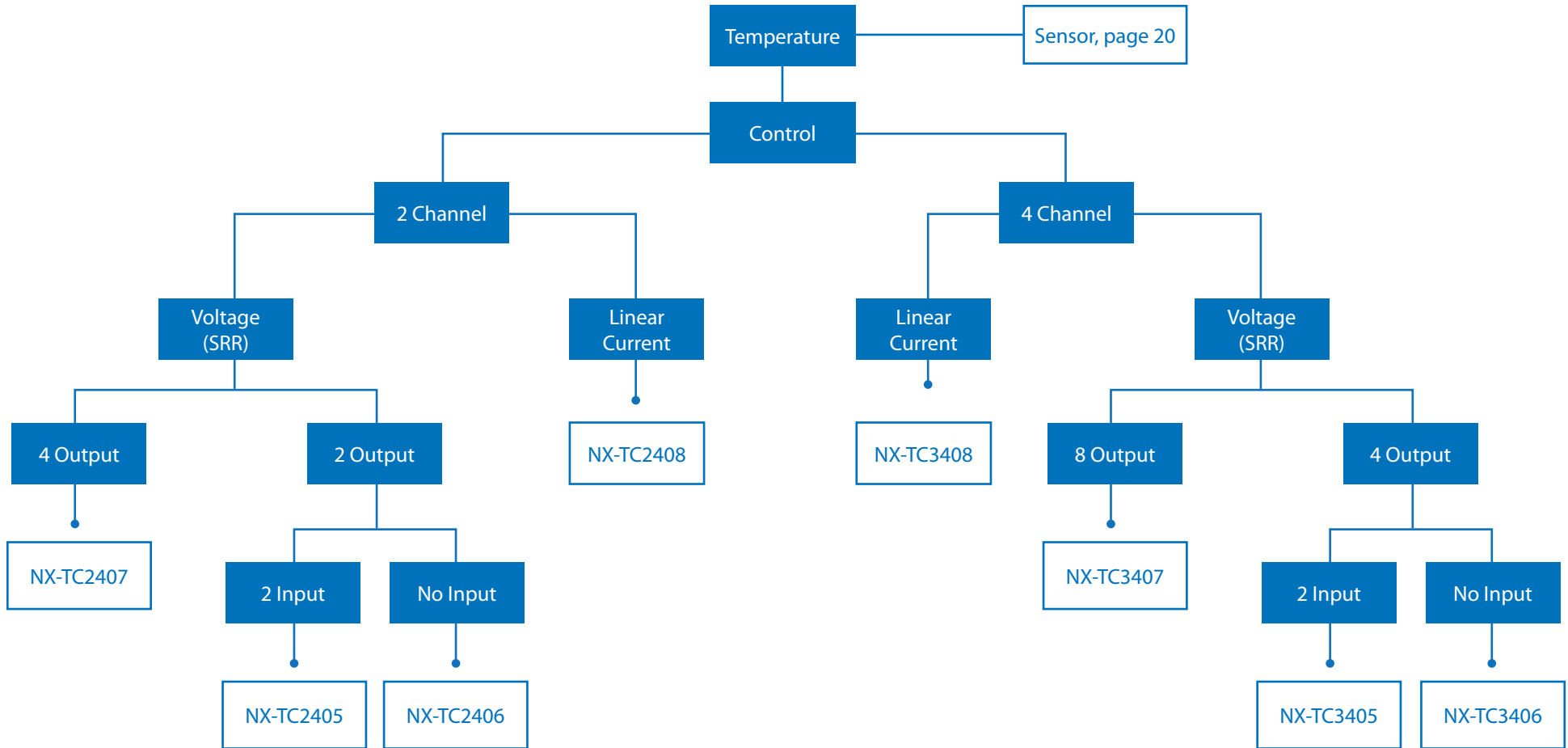
Suggested Part Numbers

Part Number	Number of Points	NPN/PNP	Max Load Current	Rated Voltage	IO Refresh	High Speed Input	Connection	Width
NX-OD5121	16	NPN	0.5A/Point	12 to 24 VDC	Switching sync	No	Screwless Clamp TB	12 mm
NX-OD5121-1	16	NPN	0.5A/Point	12 to 24 VDC	Switching sync	No	Screw TB	30 mm
NX-OD5121-5	16	NPN	0.5A/Point	12 to 24 VDC	Switching sync	No	MIL connector	30 mm
NX-OD5256	16	PNP	0.5A/Point	24 VDC	Switching sync	No	Screwless Clamp TB	12 mm
NX-OD5256-1	16	PNP	0.5A/Point	24 VDC	Switching sync	No	Screw TB	30 mm
NX-OD5256-5	16	PNP	0.5A/Point	24 VDC	Switching sync	No	MIL connector	30 mm
NX-OD6121-5	32	NPN	0.5A/Point	12to 24 VDC	Switching sync	No	MIL connector	30 mm
NX-OD6121-6	32	NPN	0.5A/Point	12 to 24 VDC	Switching sync	No	Fujitsu	30 mm
NX-OD6256-5	32	PNP	0.5A/Point	24 VDC	Switching sync	No	MIL connector	30 mm
NX-OD6121	32	NPN	0.5A/Point	12 to 24 VDC	Switching sync	No	Screwless Clamp TB	26 mm
NX-OD6256	32	PNP	0.5A/Point	12 to 24 VDC	Switching sync	No	Screwless Clamp TB	26 mm

Temperature



Click on the model name to learn more



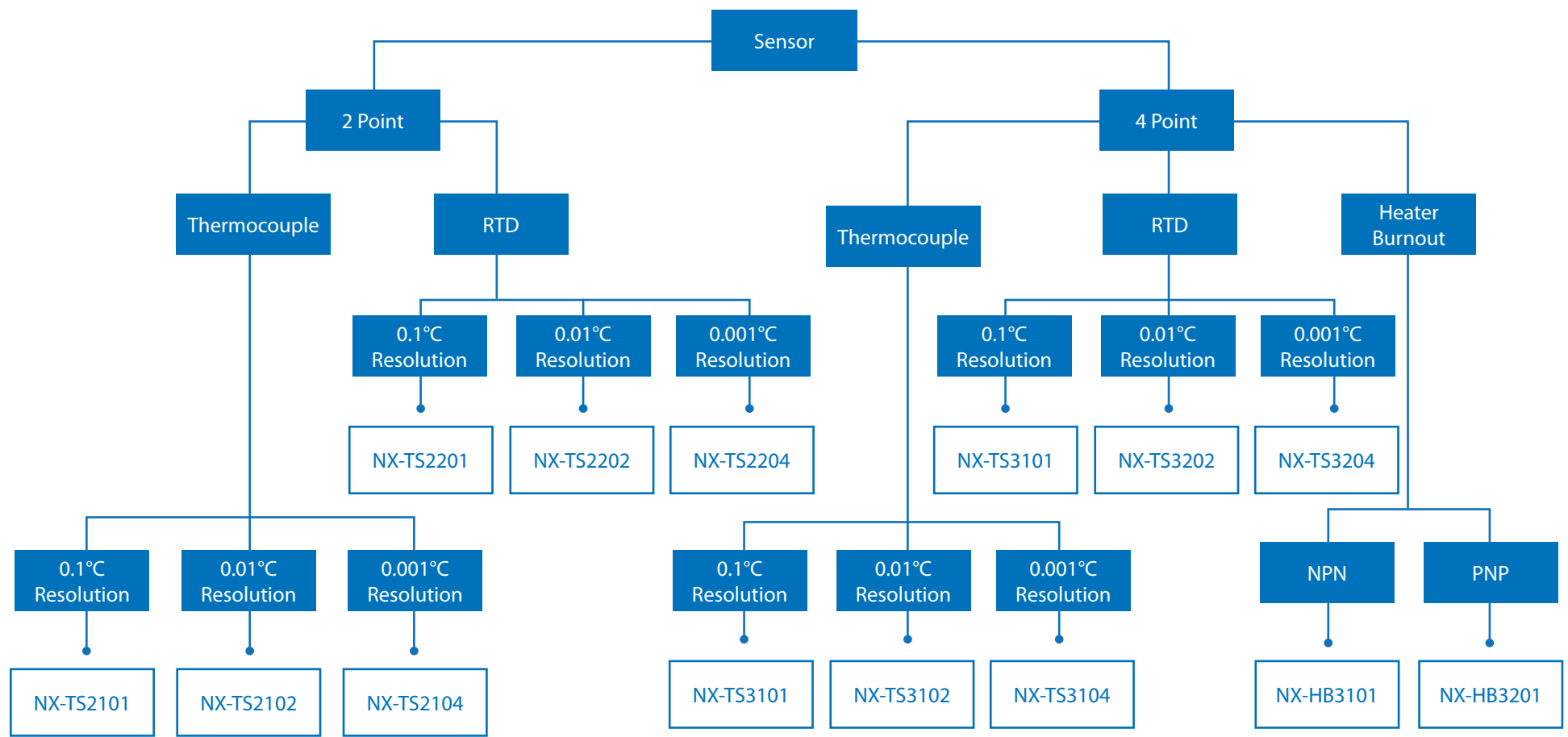
Suggested Part Numbers

Part Number	Channels	Output type	Outputs	Inputs	Control Type	Width
NX-TC2405	2	Voltage (SRR)	2	2	Standard	12 mm
NX-TC2406	2	Voltage (SRR)	2	None	Standard	12 mm
NX-TC2407	2	Voltage (SRR)	4	None	Heating and Cooling Control	12 mm
NX-TC2408	2	Linear Current	2	None	Standard	12 mm
NX-TC3405	4	Voltage (SRR)	4	4	Standard	24 mm
NX-TC3406	4	Voltage (SRR)	4	None	Standard	24 mm
NX-TC3407	4	Voltage (SRR)	8	None	Heating and Cooling Control	24 mm
NX-TC3408	4	Linear Current	4	None	Standard	24 mm

Temperature



Click on the model name to learn more



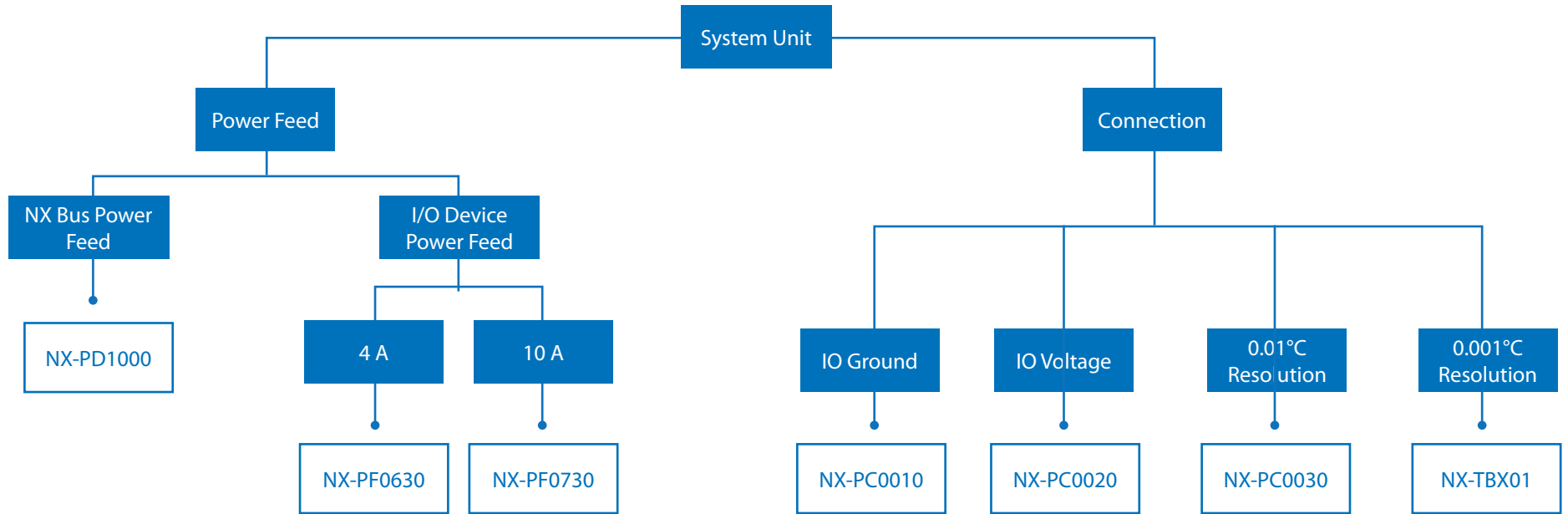
Suggested Part Numbers

Part Number	Number of Points	Input Type	Resolution (25°C)	Terminals	NPN/PNP	Width
NX-TS2101	2	Thermocouple	0.1 °C max	16	-	12 mm
NX-TS3101	4	Thermocouple	0.1 °C max	16 x2	-	24 mm
NX-TS2102	2	Thermocouple	0.01 °C max	16	-	12 mm
NX-TS3102	4	Thermocouple	0.01 °C max	16 x2	-	24 mm
NX-TS2104	2	Thermocouple	0.001 °C max	16	-	12 mm
NX-TS3104	4	Thermocouple	0.001 °C max	16 x 2	-	24 mm
NX-TS2201	2	Resistance Thermometer	0.1 °C max	16	-	12 mm
NX-TS3201	4	Resistance Thermometer	0.1 °C max	16 x 2	-	24 mm
NX-TS2202	2	Resistance Thermometer	0.01 °C max	16	-	12 mm
NX-TS3202	4	Resistance Thermometer	0.01 °C max	16 x 2	-	24 mm
NX-TS2204	2	Resistance Thermometer	0.001 °C max	16	-	12 mm
NX-TS3204	4	Resistance Thermometer	0.001 °C max	16 x 2	-	24 mm
NX-HB3101	4	Heater Burnout Detection	-	-	NPN	12 mm
NX-HB3201	4	Heater Burnout Detection	-	-	PNP	12 mm

System Unit



Click on the model name to learn more



Suggested Part Numbers

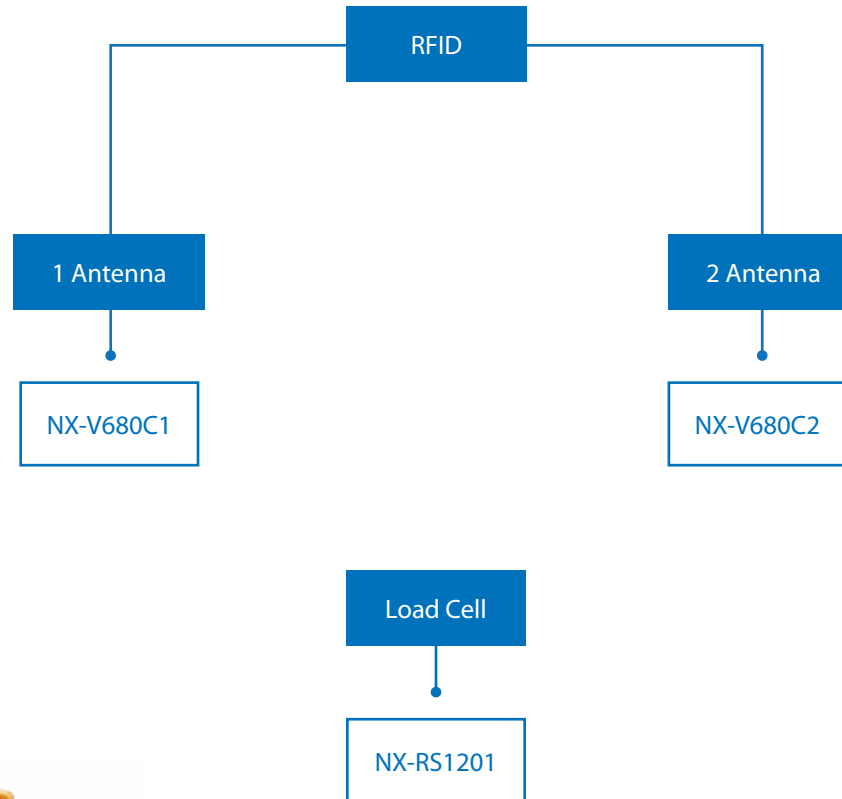
Part Number	Type	Max Current	Terminal Type	Width
NX-PD1000	NX Unit Power Supply	-	-	12 mm
NX-PF0630	I/O Power Supply	4 A	-	12 mm
NX-PF0730	I/O Power Supply	10 A ¹	-	12 mm
NX-PC0010	I/O Power Supply Connection	-	IOG (16)	12 mm
NX-PC0020	I/O Power Supply Connection	-	IOV (16)	12 mm
NX-PC0030	I/O Power Supply Connection	-	8 IOG, 8 IOV	12 mm
NX-TBX01	Shield Connection unit			12 mm

1. Use the NX-PF0730 at 4 A or less on the CPU rack where the NX1P2 CPU unit is mounted

System Unit



Click on the model name to learn more



Suggested Part Numbers

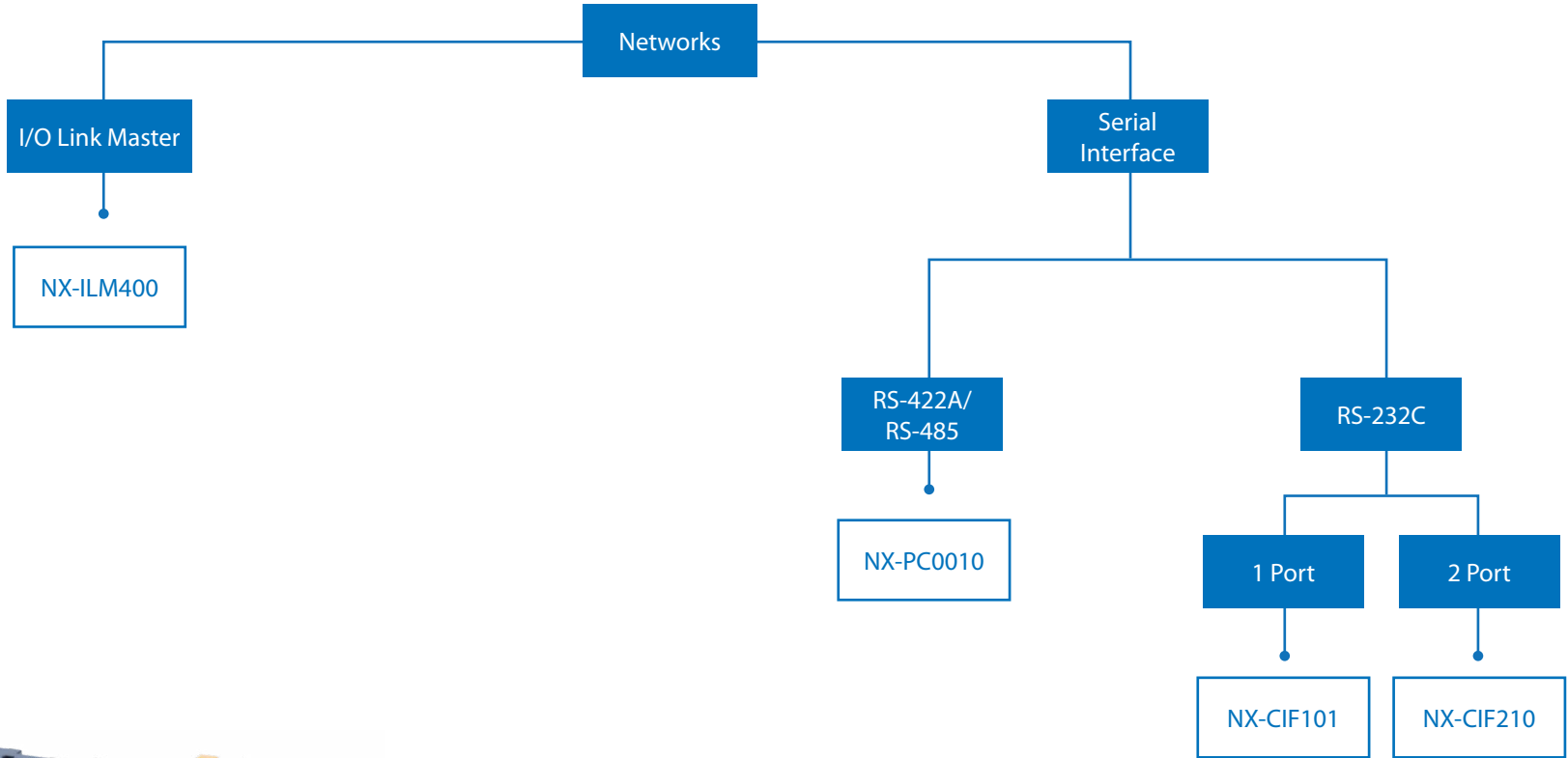
RFID		
Part Number	Units Connected	Width
NX-V680C1	1	30 mm
NX-V680C2	2	30 mm

Load Cell				
Part Number	Number of Points	Conversion Cycle	Load Cell excitation Voltage	Width
NX-RS1201	1	125 micro seconds	5 VDC	12 mm

System Unit



Click on the model name to learn more



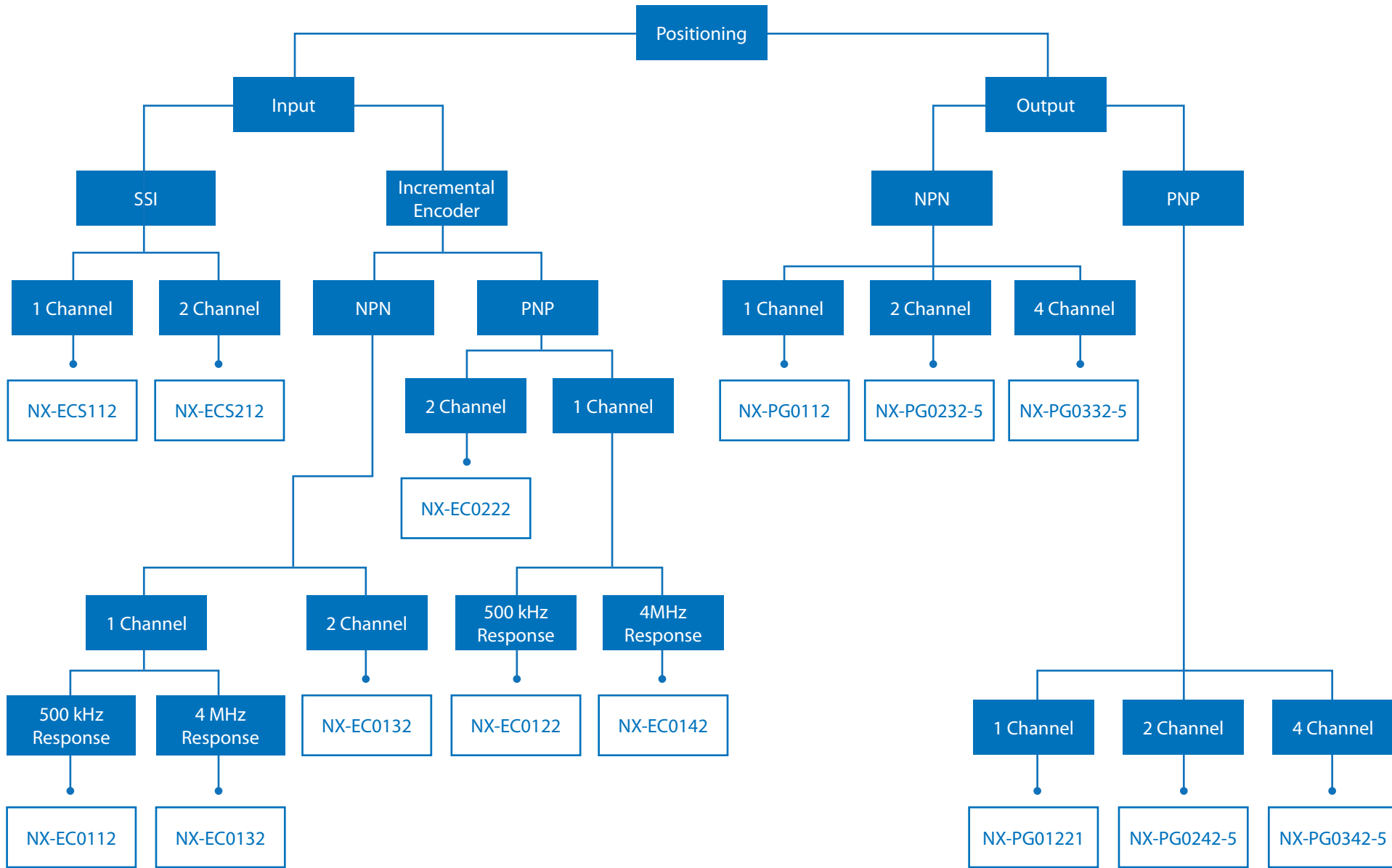
Suggested Part Numbers

Part Number	Serial Interface	Connector	Number of I/O LinkPorts	Width
NX-CIF101	RS-232C	Screwless Clamping Terminal Block	1	12 mm
NX-CIF105	RS-422A/485	Screwless Clamping Terminal Block	1	12 mm
NX-CIF210	RS-232C	D-Sub	2	30 mm
NX-ILM400			4	12 mm

Positioning



Click on the model name to learn more



Suggested Part Numbers

Part Number	Number of Channels	I/O form	Encoder Power Supply	Width
NX-ECS112	1	EIA standard RS-422-A	24 VDC, 0.3A/ch	12 mm
NX-ECS212	2	EIA standard RS-422-A	24 VDC, 0.3A/ch	12 mm

Part Number	Number of Channels	NPN/PNP	External inputs	External Outputs	Max output speed	Control Output Interface	Width
NX-PG0112	1	NPN	2	1	500 kpps	Open collector	12 mm
NX-PG0122	1	PNP	2	1	500 kpps	Open collector	12 mm
NX-PG0232-5	2	NPN	5	3	4 Mpps	Line Driver	30 mm
NX-PG0242-5	2	PNP	5	3	4 Mpps	Line Driver	30 mm
NX-PG0332-5	4	NPN	5	3	4 Mpps	Line Driver	30 mm
NX-PG0342-5	4	PNP	5	3	4 Mpps	Line Driver	30 mm

Part Number	Number of Channels	NPN/PNP	External inputs	Response	Input Type	Width
NX-EC0112	1	NPN	3	500 kHz	24 VDC	12 mm
NX-EC0122	1	PNP	3	500 kHz	24 VDC	12 mm
NX-EC0132	1	NPN	3	4 MHz	Line receiver	12 mm
NX-EC0142	1	PNP	3	4 MHz	Line receiver	12 mm
NX-EC0212	2	NPN	None	500 kHz	24 VDC	12 mm
NX-EC0222	2	PNP	None	500 kHz	24 VDC	12 mm



OMRON AUTOMATION AMERICAS HEADQUARTERS • Chicago, IL USA • 847.843.7900 • 800.556.6766 • automation.omron.com

OMRON CANADA, INC. • HEAD OFFICE

Toronto, ON, Canada • 416.286.6465 • 866.986.6766 • automation.omron.com

OMRON ELECTRONICS DE MEXICO • HEAD OFFICE

Ciudad de México • 52.55.5901.4300 • 01.800.386.6766 • mela@omron.com

OMRON ELECTRONICS DE MEXICO • SALES OFFICE

San Pedro Garza García, N.L. • 81.12.53.7392 • 01.800.386.6766 • mela@omron.com

OMRON ELECTRONICS DE MEXICO • SALES OFFICE

Eugenio Garza Sada, León, Gto • 01.800.386.6766 • mela@omron.com

OMRON ELETRÔNICA DO BRASIL LTDA • HEAD OFFICE

São Paulo, SP, Brasil • 55 11 5171-8920 • automation.omron.com

OMRON ARGENTINA • SALES OFFICE

Buenos Aires, Argentina • +54.11.4521.8630 • +54.11.4523.8483
mela@omron.com

OTHER OMRON LATIN AMERICA SALES

+54.11.4521.8630 • +54.11.4523.8483 • mela@omron.com