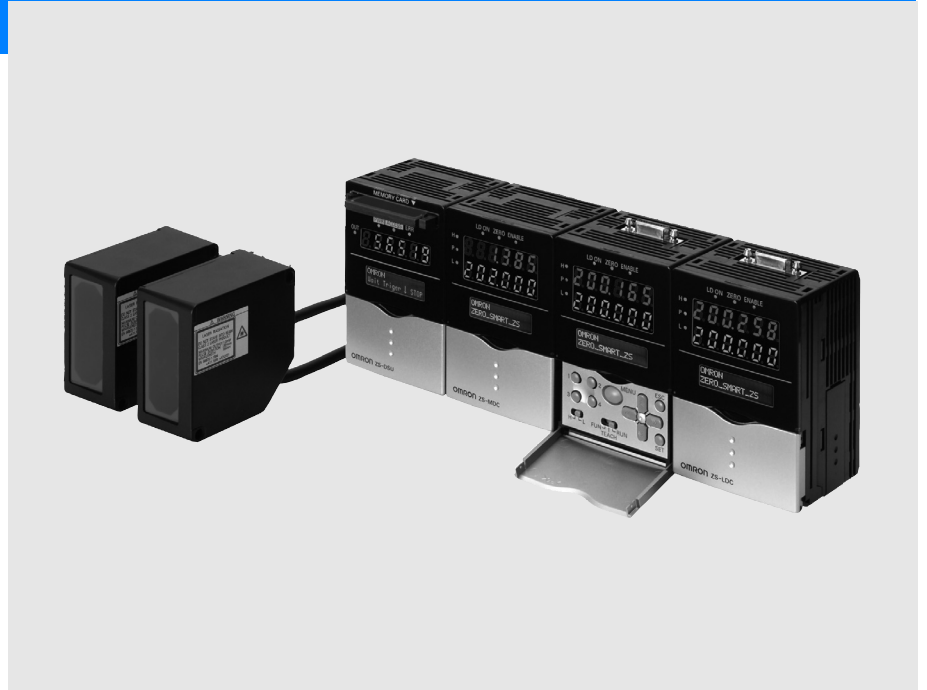


The scalable measurement sensor for all surfaces

# ZS-L series

- High dynamic sensing range for all surfaces
- High resolution of 0.25  $\mu\text{m}$
- Modular and scalable platform concept for up to 9 sensors
- Easy to use, to install and to maintain for all user levels
- Fast response time of 110  $\mu\text{s}$



## Ordering Information


### Sensors

#### Sensor Heads


Optical System	Sensing distance	Beam diameter	Resolution <sup>*1</sup>	Model
Diffuse reflection	50 ± 5 mm	900 x 60 $\mu\text{m}$	0.8 $\mu\text{m}$	ZS-LD50
	80 ± 15 mm	900 x 60 $\mu\text{m}$	2 $\mu\text{m}$	ZS-LD80
	130 ± 15 mm	600 x 70 $\mu\text{m}$	3 $\mu\text{m}$	ZS-LD130
	200 ± 50 mm	900 x 100 $\mu\text{m}$	5 $\mu\text{m}$	ZS-LD200
	350 ± 135 mm	dia. 240 $\mu\text{m}$	20 $\mu\text{m}$	ZS-LD350S
Regular reflection	20 ± 1 mm	900 x 25 $\mu\text{m}$	0.25 $\mu\text{m}$	ZS-LD20T
	50 ± 5 mm	2,000 x 35 $\mu\text{m}$	0.4 $\mu\text{m}$	ZS-LD40T

\*1. This is the peak-to-peak displacement conversion value in the displacement output at the measuring center distance in high-precision mode when the number of samples to average is set to 128 and the measuring mode is set to the high-resolution mode. The standard workpiece is white aluminum ceramics in diffuse reflection mode and glass in the regular reflection mode.


#### Sensor Controllers

Shape	Supply Voltage	Control outputs	Model
	24 VDC	NPN outputs	ZS-LDC11
		PNP outputs	ZS-LDC41

#### Multi Controllers


Shape	Supply Voltage	Control outputs	Model
	24 VDC	NPN outputs	ZS-MDC11
		PNP outputs	ZS-MDC41

### Data Storage Units



Shape	Supply Voltage	Control outputs	Model
	24 VDC	NPN outputs	ZS-DSU11
		PNP outputs	ZS-DSU41

### Accessories (Sold Separately)


#### Controller Link

Shape	Model
	ZS-XCN

#### Panel Mount Adapter

Shape	Model	
	ZS-XPM1	For 1st Controller
	ZS-XPM2	For expansion (from 2nd Controller on)

#### RS-232C Cable for Connecting to a Personal Computer

Shape	Model	Qty
	ZS-XRS2	1

#### Extension Cables for Sensor Heads

Cable length	Model	Qty
1 m	ZS-XC1A	1
4 m	ZS-XC4A	1
5 m	ZS-XC5B <sup>*1,*2</sup>	1
8 m	ZS-XC8A	1
10 m	ZS-XC10B <sup>*1</sup>	1

<sup>\*1</sup> Up to two ZS-XC□B Cables can be connected (22 m max.).

<sup>\*2</sup> A Robot Cable (ZS-XC5BR) is also available.

#### Logging Software

Name	Model
Smart Monitor Zero Professional	ZS-SW11E

#### Memory Card

Model	Model
F160-N64S(S)	64 MB
QM300-N128S	128 MB
F160-N256S	256 MB

## Safety Precautions for Using Laser Equipment

#### Laser Label Indications

Attach the following warning label to the side of the ZS-L-series Sensor Head.



Specifications

Sensor Heads

Item	Model	ZS-LD20T	ZS-LD40T	ZS-LD50	ZS-LD80	ZS-LD130	ZS-LD200	ZS-LD350S					
Applicable Controllers	ZS-LDC Series												
Optical system	Regular reflection	Diffuse reflection	Regular reflection	Diffuse reflection	Diffuse reflection	Regular reflection	Diffuse reflection	Regular reflection	Regular reflection	Diffuse reflection	Diffuse reflection	Regular reflection	Diffuse reflection
Measuring center distance	20 mm	6.3 mm	40 mm	30 mm	50 mm	47 mm	80 mm	78 mm	130 mm	130 mm	200 mm	200 mm	350 mm
Measuring range	±1 mm	±1 mm	±2.5 mm	±2 mm	±5 mm	±4 mm	±15 mm	±14 mm	±15 mm	±12 mm	±50 mm	±48 mm	±135 mm
Light source	Visible semiconductor laser (wavelength: 650 nm, 1 mW max., Class 2)												
Beam diameter <sup>*1</sup>	900 x 25 μm		2,000 x 35 μm		900 x 60 μm		900 x 60 μm		600 x 70 μm		900 x 100 μm		dia. 240 μm
Linearity <sup>*2</sup>	±0.1% F.S.								±0.25% F.S.		±0.1% F.S.	±0.25% F.S.	±0.1% F.S.
Resolution <sup>*3</sup>	0.25 μm		0.4 μm		0.8 μm		2 μm		3 μm		5 μm		20 μm
Temperature characteristic <sup>*4</sup>	0.04% F.S./°C		0.02% F.S./°C		0.02% F.S./°C		0.01% F.S./°C		0.02% F.S./°C		0.02% F.S./°C		0.04% F.S./°C
Sampling cycle <sup>*5</sup>	110 μs												
Indicators	NEAR indicator	Lights near the measuring center distance, and nearer than the measuring center distance inside the measuring range. Flashes when the measurement target is outside of the measuring range or when the received light amount is insufficient.											
	FAR indicator	Lights near the measuring center distance, and further than the measuring center distance inside the measuring range. Flashes when the measurement target is outside of the measuring range or when the received light amount is insufficient.											
Operating ambient illumination	Illumination on received light surface: 3,000 lx or less (incandescent light)								Illumination on received light surface: 2,000 lx or less (incandescent light)		Illumination on received light surface: 3,000 lx or less (incandescent light)		
Ambient temperature	Operating: 0 to 50°C, Storage: -15 to 60°C (with no icing or condensation)												
Ambient humidity	Operating and storage: 35% to 85% (with no condensation)												
Degree of protection	Cable length 0.5 m: IP66, cable length 2 m: IP67												
Materials	Case: Aluminum die-cast, Front cover: Glass												
Cable length	0.5 m, 2 m												
Weight	Approx. 350 g												
Accessories	Laser labels (1 each for JIS/EN, 3 for FDA), Ferrite cores (2), Insure Locks (2), Instruction Sheet												

- \*1. Defined as  $1/e^2$  (13.5 %) of the center optical intensity at the actual measurement center distance (effective value). The beam diameter is sometimes influenced by the ambient conditions of the workpiece, such as leaked light from the main beam.
- \*2. This is the error in the measured value with respect to an ideal straight line. The standard workpiece is white aluminum ceramics in diffuse reflection mode and glass in the regular reflection mode of the ZS-LD20T/40T/50. Linearity may change according to the workpiece.
- \*3. This is the peak-to-peak displacement conversion value in the displacement output at the measuring center distance in high-precision mode when the number of samples to average is set to 128 and the measuring mode is set to the high-resolution mode. The standard workpiece is white aluminum ceramics in diffuse reflection mode and glass in the regular reflection mode.
- \*4. This is the value obtained at the measuring center distance when the Sensor and workpiece are fixed by an aluminum jig.
- \*5. This value is obtained when the measuring mode is set to the high-speed mode.

Sensor Controllers

ZS-LDC11/LDC41

Sensor Controllers	Model	ZS-LDC11	ZS-LDC41	
No. of samples to average		1, 2, 4, 8, 16, 32, 64, 128, 256, 512, 1024, 2048, or 4096		
Number of mounted Sensors		1 per Sensor Controller		
External interface	Connection method	Serial I/O: connector, Other: pre-wired (standard cable length: 2 m)		
	Serial I/O	USB 2.0	1 port, Full Speed (12 Mbps), MINI-B	
		RS-232C	1 port, 115,200 bps max.	
	Outputs	Judgement outputs	3 outputs: HIGH, PASS, and LOW NPN open-collector, 30 VDC, 50 mA max., residual voltage: 1.2 V max.	3 outputs: HIGH, PASS, and LOW PNP open-collector, 50 mA max., residual voltage: 1.2 V max.
		Linear outputs	Selectable from 2 types of output, voltage or current (selected by slide switch on base). Voltage output: -10 to 10 V, output impedance: 40 Ω. Current output: 4 to 20 mA, maximum load resistance: 300 Ω.	
Inputs	Laser OFF, ZERO reset timing, RESET	ON: Short-circuited with 0V terminal or 1.5 V or less OFF: Open (leakage current: 0.1 mA max.)	ON: Short-circuited to supply voltage or within 1.5 V of supply voltage OFF: Open (leakage current: 0.1 mA max.)	

Sensor Controllers		Model	ZS-LDC11	ZS-LDC41
Functions			Display: Measured value, threshold value, voltage/current, received light amount, and resolution Sensing: Mode, gain, measurement object, head installation Filter: Smooth, average, and differentiation Outputs: Scaling, various hold values, and zero reset I/O settings: Linear (focus/correction), judgements (hysteresis and timer), non-measurement, and bank (switching and clear) System: Save, initialization, measurement information display, communications settings, key lock, language, and data load	
Status indicators			HIGH (orange), PASS (green), LOW (orange), LDON (green), ZERO (orange), and ENABLE (green)	
Segment display	Main display		8-segment red LED, 6 digits	
	Sub-display		8-segment green LED, 6 digits	
LCD			16 digits x 2 rows, Color of characters: green, Resolution per character: 5 x 8 pixel matrix	
Setting inputs	Setting keys		Direction keys (UP, DOWN, LEFT, and RIGHT), SET key, ESC key, MENU key, and function keys (1 to 4)	
	Slide switch		Threshold switch (2 states: High/Low), mode switch (3 states: FUN, TEACH, and RUN)	
Power supply voltage			21.6 V to 26.4 VDC (including ripple)	
Current consumption			0.5 A max. (when Sensor Head is connected)	
Ambient temperature			Operating: 0 to 50°C, Storage: -15 to 60°C (with no icing or condensation)	
Ambient humidity			Operating and storage: 35% to 85% (with no condensation)	
Materials			Case: Polycarbonate (PC)	
Weight			Approx. 280 g (excluding packing materials and accessories)	
Accessories			Ferrite core (1), Instruction Sheet	

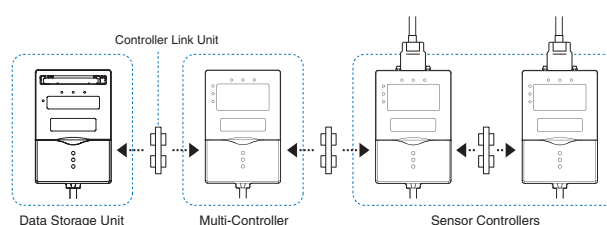
ZS-MDC11/MDC41 Multi-Controllers

Basic specifications are the same as those for the Sensor Controllers.

The following points, however, are different.

- (1) Sensor Heads cannot be connected.
- (2) A maximum 9 of Controllers can be connected. Control Link Units are required to connect Controllers.
- (3) Processing functions between Controllers:  
Math functions

Controller Link Unit  
Connection Using the ZS-XCN



Data Storage Units

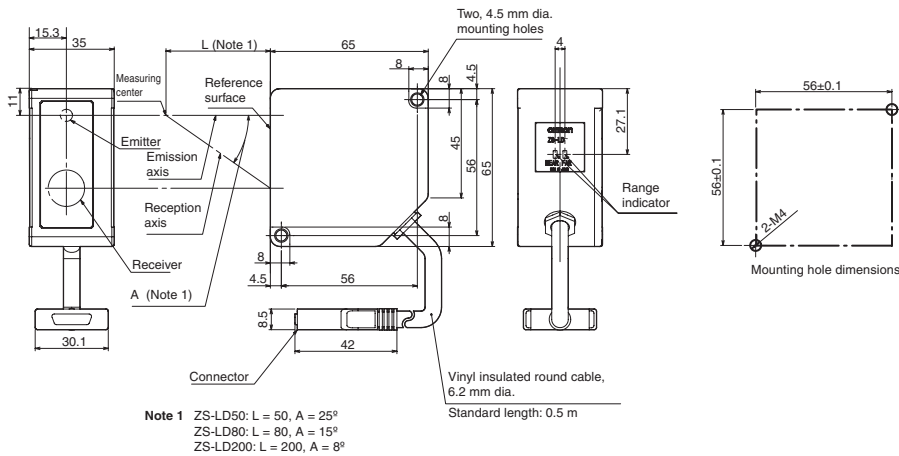
Sensor Controllers		Model	ZS-DSU11	ZS-DSU41
Number of mounted Sensor Heads			Cannot be connected	
Number of connectable Controllers			10 Controllers max. (ZS-MDC: 1 Controller, ZS-LDC: 9 Controllers max.) <sup>1</sup>	
Connectable Controllers			ZS-LDC□□, ZS-MDC□□	
External interface	Connection method		Serial I/O: connector, Other: pre-wired (standard cable length: 2 m)	
	Serial I/O	USB 2.0	1 port, Full Speed (12 Mbps), MINI-B	
		RS-232C	1 port, 115,200 bps max.	
	Outputs		3 outputs: HIGH, PASS, and LOW NPN open-collector, 30 VDC, 50 mA max., residual voltage: 1.2 V max.	3 outputs: HIGH, PASS, and LOW PNP open-collector, 50 mA max., residual voltage: 1.2 V max.
Inputs		ON: Short-circuited with 0V terminal or 1.5 V or less OFF: Open (leakage current: 0.1 mA max.)	ON: Short-circuited to supply voltage or within 1.5 V of supply voltage OFF: Open (leakage current: 0.1 mA max.)	
Data resolution			32 bits	
Functions	Logging trigger functions		Start and stop triggers can be set separately; external triggers, data triggers (self-triggers), and time triggers	
	Other functions		External banks, alarm outputs, saved data format customization, and clock	
Status indicators			OUT (orange), PWR (green), ACCESS (orange), and ERR (red)	
Segment display			8-segment green LEDs, 6 digits	
LCD			16 digits x 2 rows, Color of characters: green, Resolution per character: 5 x 8 pixel matrix	
Setting inputs	Setting keys		Direction keys (UP, DOWN, LEFT, and RIGHT), SET key, ESC key, MENU key, and function keys (1 to 4)	
	Slide switch		Threshold switch (2 states: High/Low), mode switch (3 states: FUN, TEACH, and RUN)	
Power supply voltage			21.6 V to 26.4 VDC (including ripple)	
Current consumption			0.5 A max.	
Ambient temperature			Operating: 0 to 50°C, Storage: -15 to 60°C (with no icing or condensation)	
Ambient humidity			Operating and storage: 35% to 85% (with no condensation)	
Materials			Case: Polycarbonate (PC)	
Weight			Approx. 280 g (excluding packing materials and accessories)	
Accessories			Ferrite core (1) Instruction Sheet, Tools for Data Storage Unit: CSV File Converter for Data Storage Unit, Smart Analyzer Macro Edition (Excel macros for analysis of collected data)	

<sup>1</sup>: Control Link Units are required to connect Controllers.

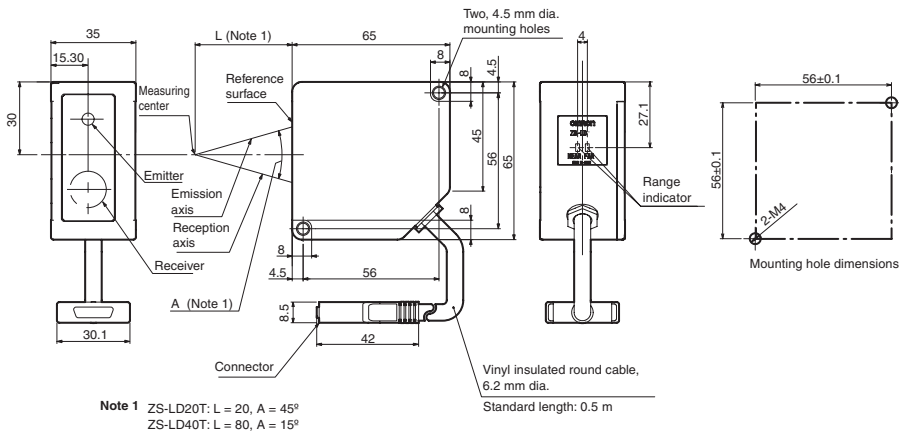
Dimensions

Sensor Heads

ZS-LD50/LD80/ZS-LD130/LD200/ZS-LD350S

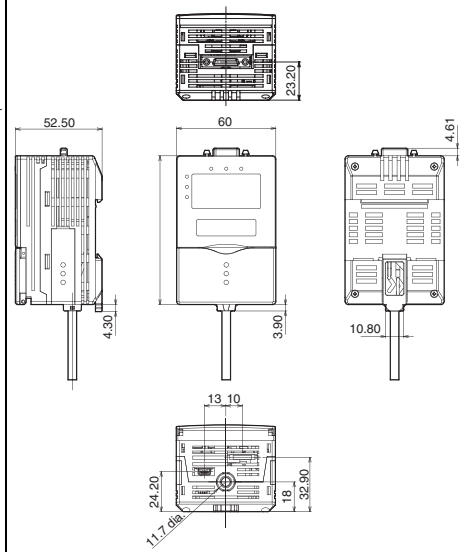


ZS-LD20T/LD40T

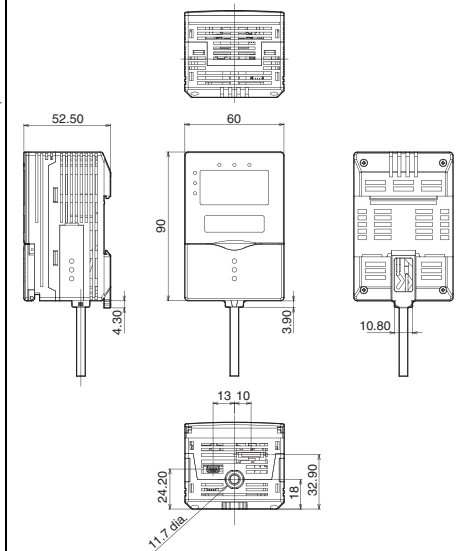


Sensor Controllers

ZS-LDC11/LDC41

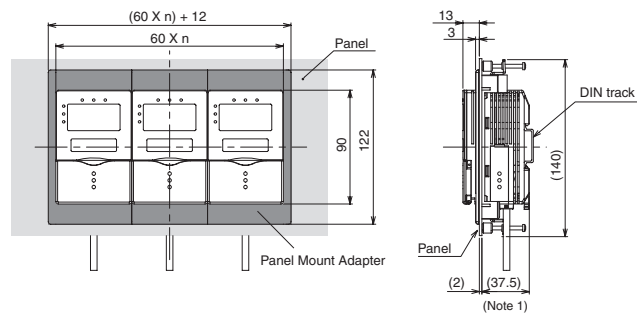


ZS-MDC11/MDC41 Multi-Controllers

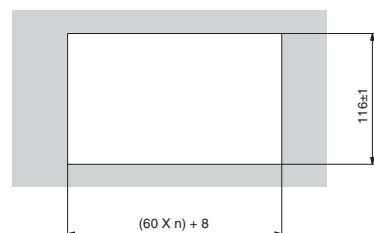


Panel Mount Adapters

ZS-XPM1/XPM2 (Dimension for Panel Mounting)



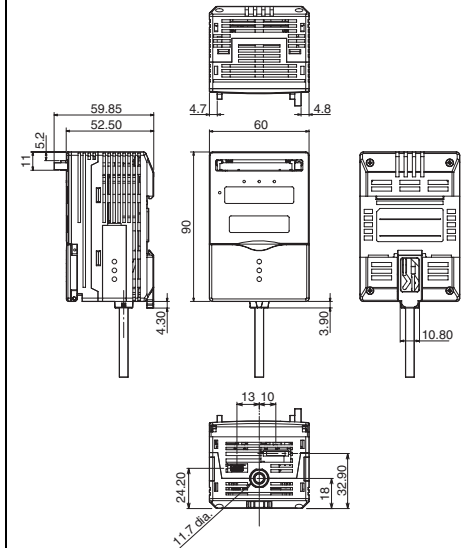
Panel cutout dimensions



Note 1: Dimensions are shown for a panel thickness of 2.0 mm.  
n: Number of gang-mounted Controllers (1 to 11)

Data Storage Unit

ZS-DSU11/DSU41



---

## READ AND UNDERSTAND THIS DOCUMENT

Please read and understand this document before using the products. Please consult your OMRON representative if you have any questions or comments.

---

## WARRANTY

OMRON's exclusive warranty is that the products are free from defects in materials and workmanship for a period of one year (or other period if specified) from date of sale by OMRON.

OMRON MAKES NO WARRANTY OR REPRESENTATION, EXPRESS OR IMPLIED, REGARDING NONINFRINGEMENT, MERCHANTABILITY, OR FITNESS FOR PARTICULAR PURPOSE OF THE PRODUCTS. ANY BUYER OR USER ACKNOWLEDGES THAT THE BUYER OR USER ALONE HAS DETERMINED THAT THE PRODUCTS WILL SUITABLY MEET THE REQUIREMENTS OF THEIR INTENDED USE. OMRON DISCLAIMS ALL OTHER WARRANTIES, EXPRESS OR IMPLIED.

---

## LIMITATIONS OF LIABILITY

OMRON SHALL NOT BE RESPONSIBLE FOR SPECIAL, INDIRECT, OR CONSEQUENTIAL DAMAGES, LOSS OF PROFITS OR COMMERCIAL LOSS IN ANY WAY CONNECTED WITH THE PRODUCTS, WHETHER SUCH CLAIM IS BASED ON CONTRACT, WARRANTY, NEGLIGENCE, OR STRICT LIABILITY.

In no event shall responsibility of OMRON for any act exceed the individual price of the product on which liability is asserted.

IN NO EVENT SHALL OMRON BE RESPONSIBLE FOR WARRANTY, REPAIR, OR OTHER CLAIMS REGARDING THE PRODUCTS UNLESS OMRON'S ANALYSIS CONFIRMS THAT THE PRODUCTS WERE PROPERLY HANDLED, STORED, INSTALLED, AND MAINTAINED AND NOT SUBJECT TO CONTAMINATION, ABUSE, MISUSE, OR INAPPROPRIATE MODIFICATION OR REPAIR.

---

## SUITABILITY FOR USE

THE PRODUCTS CONTAINED IN THIS DOCUMENT ARE NOT SAFETY RATED. THEY ARE NOT DESIGNED OR RATED FOR ENSURING SAFETY OF PERSONS, AND SHOULD NOT BE RELIED UPON AS A SAFETY COMPONENT OR PROTECTIVE DEVICE FOR SUCH PURPOSES. Please refer to separate catalogs for OMRON's safety rated products.

OMRON shall not be responsible for conformity with any standards, codes, or regulations that apply to the combination of products in the customer's application or use of the product.

At the customer's request, OMRON will provide applicable third party certification documents identifying ratings and limitations of use that apply to the products. This information by itself is not sufficient for a complete determination of the suitability of the products in combination with the end product, machine, system, or other application or use.

The following are some examples of applications for which particular attention must be given. This is not intended to be an exhaustive list of all possible uses of the products, nor is it intended to imply that the uses listed may be suitable for the products:

- Outdoor use, uses involving potential chemical contamination or electrical interference, or conditions or uses not described in this document.

- Nuclear energy control systems, combustion systems, railroad systems, aviation systems, medical equipment, amusement machines, vehicles, safety equipment, and installations subject to separate industry or government regulations.

- Systems, machines, and equipment that could present a risk to life or property.

Please know and observe all prohibitions of use applicable to the products.

NEVER USE THE PRODUCTS FOR AN APPLICATION INVOLVING SERIOUS RISK TO LIFE OR PROPERTY WITHOUT ENSURING THAT THE SYSTEM AS A WHOLE HAS BEEN DESIGNED TO ADDRESS THE RISKS, AND THAT THE OMRON PRODUCT IS PROPERLY RATED AND INSTALLED FOR THE INTENDED USE WITHIN THE OVERALL EQUIPMENT OR SYSTEM.

---

## PERFORMANCE DATA

Performance data given in this document is provided as a guide for the user in determining suitability and does not constitute a warranty. It may represent the result of OMRON's test conditions, and the users must correlate it to actual application requirements. Actual performance is subject to the OMRON Warranty and Limitations of Liability.

---

## CHANGE IN SPECIFICATIONS

Product specifications and accessories may be changed at any time based on improvements and other reasons.

It is our practice to change model numbers when published ratings or features are changed, or when significant construction changes are made. However, some specifications of the product may be changed without any notice. When in doubt, special model numbers may be assigned to fix or establish key specifications for your application on your request. Please consult with your OMRON representative at any time to confirm actual specifications of purchased products.

---

## DIMENSIONS AND WEIGHTS

Dimensions and weights are nominal and are not to be used for manufacturing purposes, even when tolerances are shown.

---

## ERRORS AND OMISSIONS

The information in this document has been carefully checked and is believed to be accurate; however, no responsibility is assumed for clerical, typographical, or proofreading errors, or omissions.

---

## PROGRAMMABLE PRODUCTS

OMRON shall not be responsible for the user's programming of a programmable product, or any consequence thereof.

---

## COPYRIGHT AND COPY PERMISSION

This document shall not be copied for sales or promotions without permission.

This document is protected by copyright and is intended solely for use in conjunction with the product. Please notify us before copying or reproducing this document in any manner, for any other purpose. If copying or transmitting this document to another, please copy or transmit it in its entirety.

Cat. No. Z215-E2-02-X

**In the interest of product improvement, specifications are subject to change without notice.**

---

## OMRON EUROPE B.V.

Wegalaan 67-69,  
 NL-2132 JD, Hoofddorp,  
 The Netherlands  
 Phone: +31 23 568 13 00  
 Fax: +31 23 568 13 88  
 www.eu.omron.com