

TM Robot Stand Manual



This Manual contains information of the Techman Robot product series (hereinafter referred to as the TM Robot). The information contained herein is the property of Omron Corporation (hereinafter referred to as the Corporation) and Techman Robot Inc. No part of this publication may be reproduced or copied in any way, shape or form without prior authorization from the Corporation. No information contained herein shall be considered an offer or commitment. It may be subject to change without notice. This Manual will be reviewed periodically. The Corporation will not be liable for any error or omission.

TM Mark is the registered trademark of Techman Robot Inc., and the Company reserves the ownership and copyright of this Instruction and its copies.

Revision History Table.....	4
1. Product Function and Specification	5
1.1 Function	5
1.2 Specification.....	5
1.3 Three-view Diagram.....	6
1.4 Flange Surface.....	6
2. Packing List.....	7
3. Installation	8
3.1 TM Robot Stand Installation.....	8
3.1.1 Fix Adjuster Feet	8
3.1.2 Adjust the height of TM Robot Stand	8
3.2 Control Box Installation	9

Revision History Table

Revision	Date	Revised Content
01	October 2018	Original release

1. Product Function and Specification

1.1 Function

TM Robot Stand is a convenient tool for users to adjust the height of platform. Users can move TM Robot Stand with TM Robot to different work cells to achieve easy and flexible deployment.

1.2 Specification

Depth	630mm
Width	750mm
Height	700~1000mm
Weight	133kg
Applicable Robot	TM5-700、TM5-900
Max. Recommended Profile(TM5-700/TM5-900)	Up to 80% of max. speed with half max. payload and default acceleration rate (500ms for Time to top speed).

*Max. recommended profile is highly relevant to pose/motion/acceleration, and the status of ground surface.

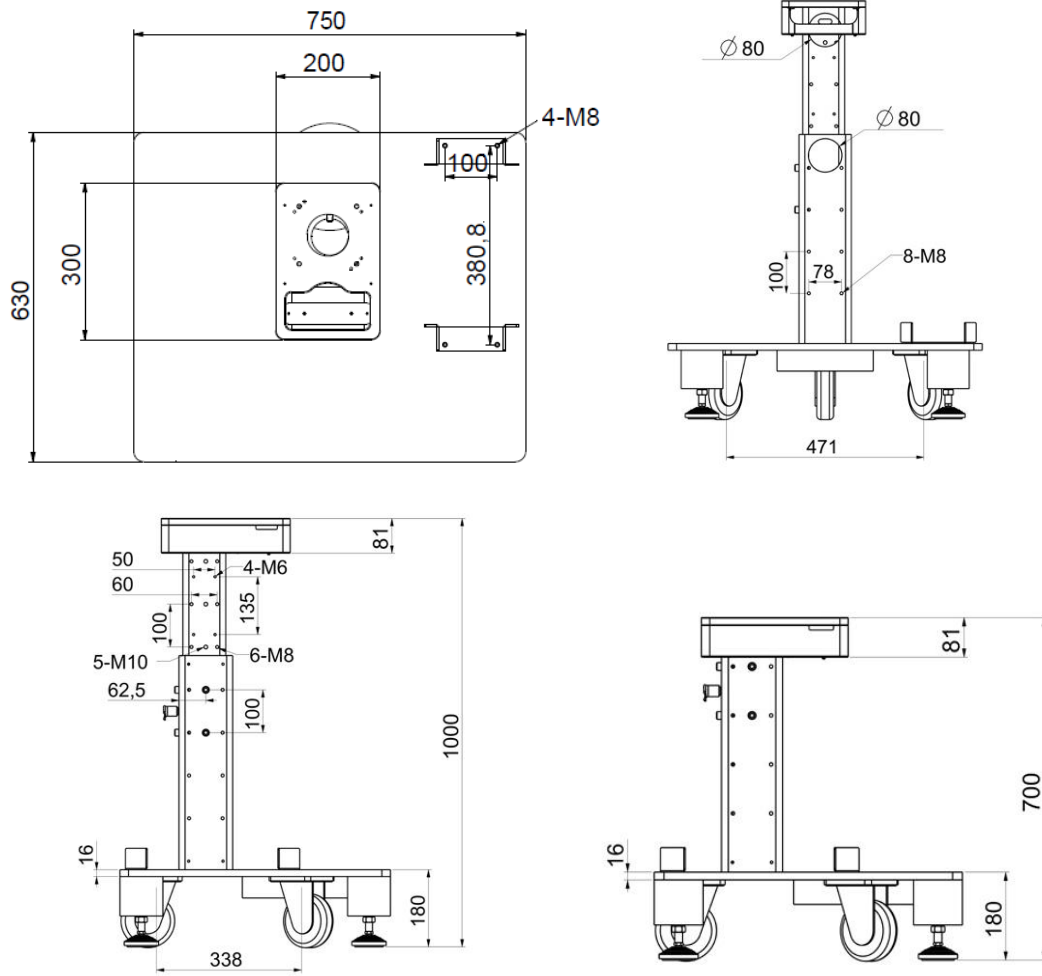


DANGER:

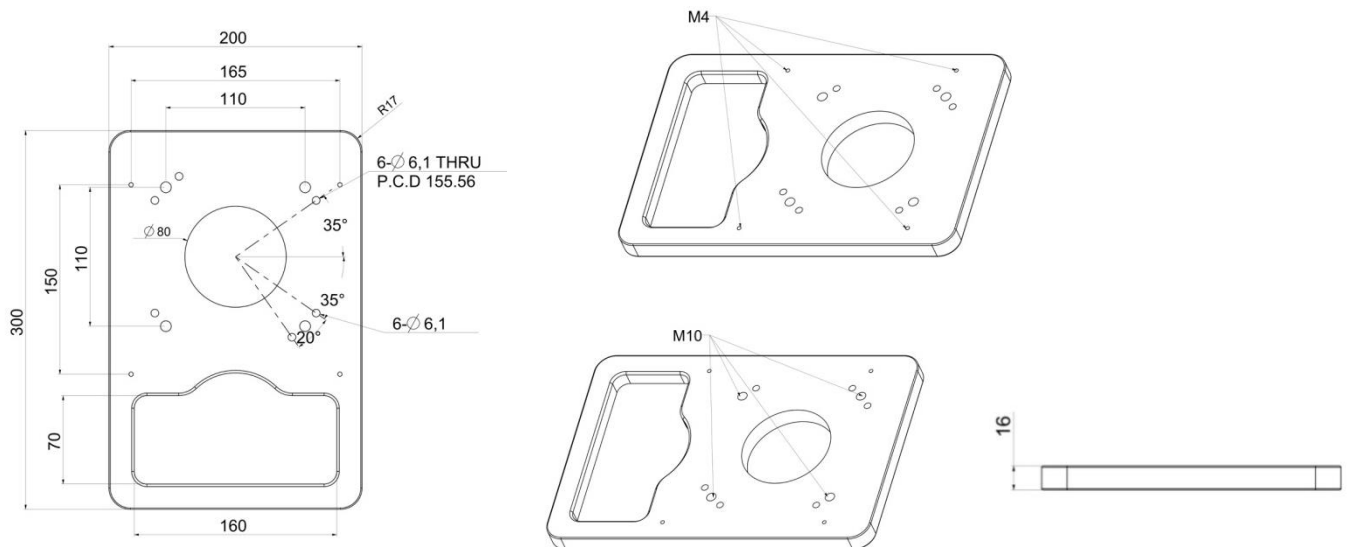
Before installing and using this product, the user must first perform a risk assessments based on the conditions of use. The stability of the center of gravity is highly correlated with robot kinematics (including velocity, acceleration and poses) and environmental factors (including characteristics of the floor surface and structure).

The Corporation clearly specifies the following risks: the product can tip over causing serious injury or death, or damage to itself and other equipment, due to improper risk assessment or test and failure to read and comply with the manuals. Max. recommended profile and related data shall not be considered as a guarantee by the Corporation.

1.3 Three-view Diagram



1.4 Flange Surface



2. Packing List

TM Robot Stand has the following items in package.

TM Robot Stand x1



Lock Pin x1



Lock Screw (M10x20L) x4



Bracket x2



Bracket Screw (M8x15L) x4

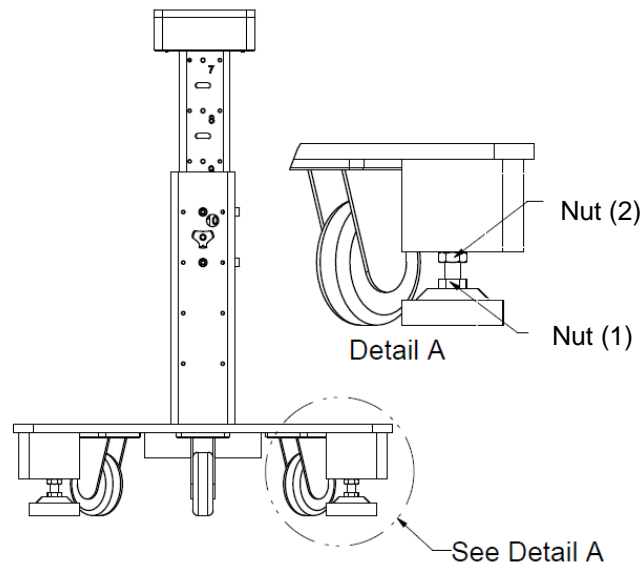


3. Installation

3.1 TM Robot Stand Installation

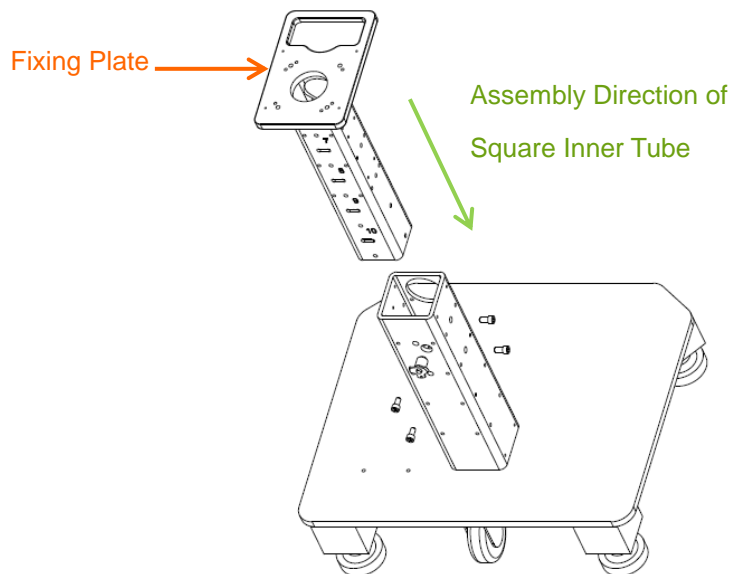
3.1.1 Fix Adjuster Feet

- First, loosen Nut (1) and the adjuster feet will be released.
- Secondly, adjust the required height and verify that the adjuster feet would touch the ground.
- Now, tighten Nut (2) on the adjuster feet to avoid loosening.
- Based on considerations of safety, the user should always put down the adjuster feet to avoid slippery if the robot needs to be assembled or disassembled on the TM Robot Stand.

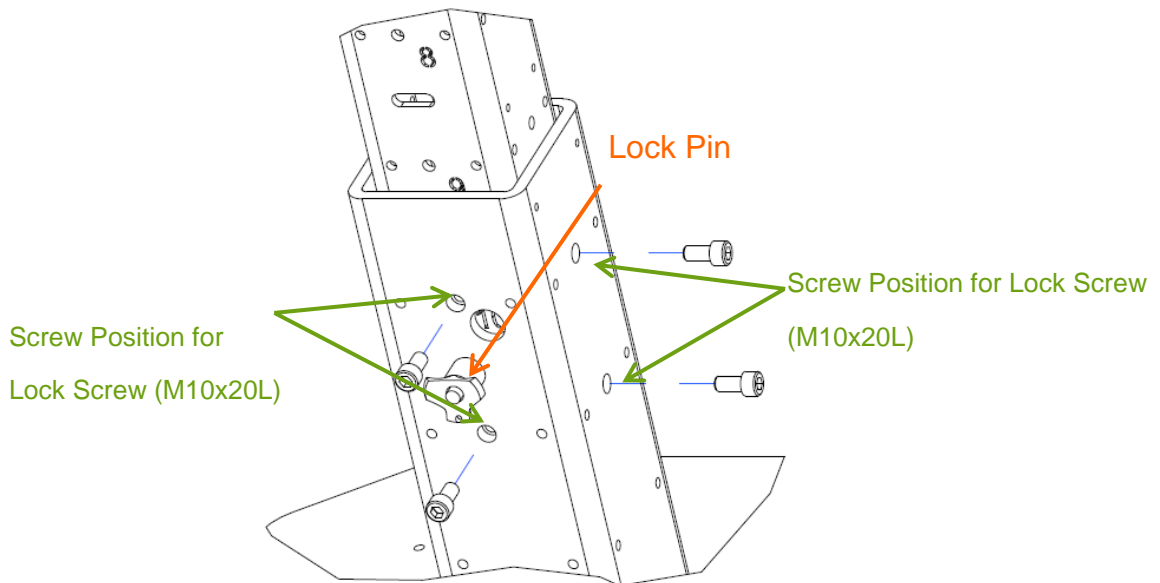


3.1.2 Adjust the height of TM Robot Stand

- Ensure that the TM Robot Stand does not move. Then insert the square inner tube in the outer tube.



- Adjust the square inner tube to required position and insert into the lock pin.
- Height indicator window shows the current height from the fixing plate to the ground. The numbers in indicator window are 7, 8, 9, 10 and four sections in total for different kinds of application requirements. For example, the number 7 means height 700mm from the fixing plate to the ground.
- Since the fixing plate height is fixed, tighten the lock screws (M10x20L) on 2 surfaces with nyloc on the outer tube. The number of lock screws is 2 on each side.

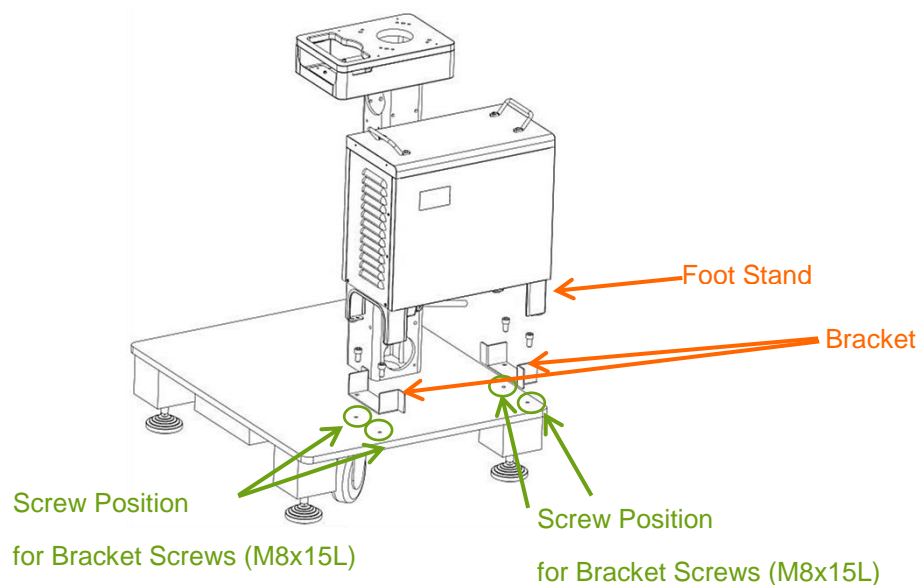


DANGER:

When adjusting the height of TM Robot Stand, there must be two operators to avoid danger. One operator supports to hold the inner tube, the other adjusts the height of TM Robot Stand. The Corporation will not be liable for any injuries caused during operation.

3.2 Control Box Installation

- Use bracket screws (M8x15L) to tighten the brackets on the base plate. The number of screws is 2 on each side and stuck the foot stands on the bracket outside corners



OMRON AUTOMATION AMERICAS HEADQUARTERS • Chicago, IL USA • 847.843.7900 • 800.556.6766 • www.omron247.com

OMRON CANADA, INC. • HEAD OFFICE

Toronto, ON, Canada • 416.286.6465 • 866.986.6766 • www.omron247.com

OMRON ELECTRONICS DE MEXICO • HEAD OFFICE

México DF • 52.55.59.01.43.00 • 01-800-226-6766 • mela@omron.com

OMRON ELECTRONICS DE MEXICO • SALES OFFICE

Apodaca, N.L. • 52.81.11.56.99.20 • 01-800-226-6766 • mela@omron.com

OMRON ELETRÔNICA DO BRASIL LTDA • HEAD OFFICE

São Paulo, SP, Brasil • 55.11.2101.6300 • www.omron.com.br

OMRON ARGENTINA • SALES OFFICE

Cono Sur • 54.11.4783.5300

OMRON CHILE • SALES OFFICE

Santiago • 56.9.9917.3920

OTHER OMRON LATIN AMERICA SALES

54.11.4783.5300

OMRON EUROPE B.V. • Wegalaan 67-69, NL-2132 JD, Hoofddorp, The Netherlands. • +31 (0) 23 568 13 00 • www.industrial.omron.eu

Authorized Distributor:

Controllers & I/O

- Machine Automation Controllers (MAC) • Motion Controllers
- Programmable Logic Controllers (PLC) • Temperature Controllers • Remote I/O

Robotics

- Industrial Robots • Mobile Robots

Operator Interfaces

- Human Machine Interface (HMI)

Motion & Drives

- Machine Automation Controllers (MAC) • Motion Controllers • Servo Systems
- Frequency Inverters

Vision, Measurement & Identification

- Vision Sensors & Systems • Measurement Sensors • Auto Identification Systems

Sensing

- Photoelectric Sensors • Fiber-Optic Sensors • Proximity Sensors
- Rotary Encoders • Ultrasonic Sensors

Safety

- Safety Light Curtains • Safety Laser Scanners • Programmable Safety Systems
- Safety Mats and Edges • Safety Door Switches • Emergency Stop Devices
- Safety Switches & Operator Controls • Safety Monitoring/Force-guided Relays

Control Components

- Power Supplies • Timers • Counters • Programmable Relays
- Digital Panel Meters • Monitoring Products

Switches & Relays

- Limit Switches • Pushbutton Switches • Electromechanical Relays
- Solid State Relays

Software

- Programming & Configuration • Runtime