

Delta Robot
CR_UGD21500 Series

Delta Robot 2 Axes + 1 Rot

USER'S MANUAL

OMRON

Safety Instructions

1. Attention	S-1
2. Explanation of warnings and notes	S-1
3. Safety information	S-2
3.1 General	S-2
3.2 Qualified personnel	S-2
3.3 Liability	S-2
3.4 Installation and operating conditions	S-2
3.5 Residual risks	S-2
3.5.1 Release device	S-3
3.5.2 Transport	S-3
3.5.3 Assembly and start-up	S-3
3.5.4 Maintenance and repair	S-3
3.5.5 System integrator	S-4

Chapter 1 Introduction

1. Introduction	1-1
1.1 Description of the robot	1-1
1.2 Type code explanation	1-1
2. Identification	1-1
3. Part names	1-2

Chapter 2 Model overview

1. Overview	2-1
-------------	-----

Chapter 3 Installation

1. Unpacking	3-1
1.1 Unpacking the shipping box	3-1
1.2 Check the damage	3-1
1.3 Lifting and transportation	3-1
2. Mounting the robot	3-3
3. Calibration	3-4

Chapter 4 Maintenance

1. Periodic maintenance	4-1
1.1 Rod ends	4-1
2. Cleaning the robot	4-2
3. Spare parts	4-2

Chapter 5 Robot settings

1. Kinematics	5-1
2. Workspace	5-2
3. Software limits	5-3

Chapter 6 Specifications

1. Basic specifications	6-1
1.1 Cycle time	6-1
2. External view and dimensions	6-2
3. Design specifications	6-3
3.1 Occupation area of robot	6-3
3.2 Gripper interface	6-4
3.3 Software design	6-6
3.3.1 Dimensions and limits	6-6

Safety Instructions

Contents

1. Attention	S-1
2. Explanation of warnings and notes	S-1
3. Safety information	S-2
3.1 General	S-2
3.2 Qualified personnel	S-2
3.3 Liability	S-2
3.4 Installation and operating conditions	S-2
3.5 Residual risks	S-2
3.5.1 Release device	S-3
3.5.2 Transport	S-3
3.5.3 Assembly and start-up	S-3
3.5.4 Maintenance and repair	S-3
3.5.5 System integrator	S-4

1. Attention

Information in this document can change without prior notice.

OMRON EUROPE B.V. cannot be held responsible for any damage to the environment, to the machine or to the functioning of the machine occurred by errors or missing data in the illustrations, drawing or specifications.

No part of this manual and added documentation may be copied, reproduced or translated into another language without prior written approval.

Read and understand the material contained in this user's manual before you work on the CR_UGD21500 robot for the first time. This user's manual is supposed to help you use the capabilities of the CR_UGD21500 robot safely and properly.

2. Explanation of warnings and notes

This manual uses the following safety alert symbols and signal words to provide safety instructions that must be observed and to describe handling precautions, prohibited actions, and compulsory actions. Make sure you understand the meaning of each symbol and signal word and then read this manual.

**DANGER**

THIS INDICATES AN IMMEDIATELY HAZARDOUS SITUATION WHICH, IF NOT AVOIDED, WILL RESULT IN DEATH OR SERIOUS INJURY.

**WARNING**

THIS INDICATES A POTENTIALLY HAZARDOUS SITUATION WHICH, IF NOT AVOIDED, COULD RESULT IN DEATH OR SERIOUS INJURY.

**NOTE**

Explains the key point in the operation in a simple and clear manner.

3. Safety information

3.1 General

This '3. Safety information' subchapter contains information regarding working with the CR_UGD21500 robot. Qualified personnel working with the CR_UGD21500 robot must have read and understood the CR_UGD21500 robot documentation, including the safety information chapter.

3.2 Qualified personnel

These are people who, due their specialist training, knowledge and experience, and their familiarization with the relevant standards, are able to assess the work to be carried out and detect any potential hazards.

3.3 Liability

The CR_UGD21500 robot is build using state-of-the-art technology and in accordance with the recognized safety rules. Nevertheless, misuse of the CR_UGD21500 robot may constitute a risk to life and limb or cause damage to the CR_UGD21500 robot and to other material property.

3.4 Installation and operating conditions

You may only use the components in accordance with the installation and operating conditions described in the documentation. The operating conditions at the installation location must be checked and maintained in accordance with the required technical data. Within the meaning of the Machinery Directive the CR_UGD21500 robot is an incomplete machine. Commissioning is prohibited until the usable machine or system in which the CR_UGD21500 robot is installed meets all requirements of the Machine directive 2006/42/EC.

For the CR_UGD21500 robot you have to observe the following standards, directives and regulations:

- EN ISO 10218-1:2011 Robots and robotic devices - Safety requirements for industrial robots - Part 1: Robots.
- EN ISO 10218-2:2011 Robots and robotic devices - Safety requirements for industrial robots - Part 2: Robot systems and integration.

3.5 Residual risks

Safety and health risks arising from the robot mechanics have been reduced by means of safety technology and design engineering. However a residual risk remains, since the robot mechanics will be move by an automated control system.

The following are typical warnings concerning residual risks which cannot be assigned to a specific action. The expression of safety labels is identical to the safety information.

3.5.1 Release device

The robot mechanics are not supplied with an release switch to control the brakes of the motors.

**WARNING**

- MOUNT A RELEASE SWITCH ON THE MACHINE SO THE ARMS (MOTOR) OF THE ROBOT COULD BE MANUALLY MOVED.
 - MOVING AN AXIS WITH AN IMPROPERLY WORKING RELEASE SWITCH CAN DAMAGE THE MOTOR BRAKE. THIS CAN RESULT IN PERSONAL INJURY AND MATERIAL DAMAGE.
 - BEFORE RELEASING THE BRAKE, YOU HAVE TO BE SURE THAT NO ONE IS IN THE HAZARD AREA OF THE ROBOT.
-

3.5.2 Transport

The prescribed transport position of the robot must be observed. Transportation must be carried out in accordance with the transportation instructions or assembly instructions of the robot.

**WARNING**

- ONLY USE AUTHORIZED HANDLING EQUIPMENT WITH A SUFFICIENT LOAD-BEARING CAPACITY TO TRANSPORT THE ROBOT.
 - WEAR SUITABLE PROTECTIVE CLOTHING IF NECESSARY.
-

3.5.3 Assembly and start-up

Before starting up systems and devices for the first time, a check must be carried out to ensure that the system and devices are completed and operational, that they can be operated safely and that any damage is detected.

The valid national or regional work safety regulations must be observed for this check. The correct functioning of all safety circuits must also be tested.

The following tests must be carried out before start-up and recommissioning. It must be ensured that:

- The robot is correctly installed and fastened in accordance with the specifications in the assembly instructions.
- There are no foreign bodies or loose parts on the robot.
- All required safety equipment is correctly installed and operational.

**WARNING**

- A WRONG INSTALLED ROBOT MAY DAMAGE HIS ARMS.
 - WEAR SUITABLE PROTECTIVE CLOTHING IF NECESSARY.
-

3.5.4 Maintenance and repair

After maintenance and repair work, checks must be carried out to ensure the required safety level. The valid national or regional work safety regulations must be observed for this check. The correct functioning of all safety circuits must also be tested.

The purpose of maintenance and repair work is to ensure that the system is kept original or, in the event of a fault, to return the system to an operational state. Repair work includes troubleshooting in addition to the actual repair itself.

The following safety measures must be carried out when working on the robot:

- Switch of the machine (system) where the robot is built-in (e.g. with a padlock) to prevent it from being switched on again
- Label the machine (system) with a sign indication that work is in progress. This sign must remain in place, even during temporary interruptions to the work.
- The emergency stop from the machine (system) must remain active. If safety functions or safeguards are deactivated during maintenance or repair work, they must be reactivated immediately after the work is completed.

3.5.5 System integrator

The robot is safely integrated into a complete system by the system integrator. The system integrator is responsible for the following tasks:

- Installing the robot
- Performing risk assessment
- Implementing the required safety functions and safeguards
- Issuing the declaration of conformity
- Attaching the CE mark
- Creating the operating instructions for the complete system

Chapter 1 Introduction

Contents

1. Introduction	1-1
1.1 Description of the robot	1-1
1.2 Type code explanation	1-1
2. Identification	1-1
3. Part names	1-2

1. Introduction

Congratulations with the purchase of your high speed Delta robot.

This manual should be read before the commissioning of the robot. By mechanical engineers in the design phase during the integration of the robot in the machine and by software engineers to check the performance envelope of the robot.

This manual describes the main versions of the CR_UGD21500 robot, and all options. Where applicable check the appropriate data for your robot type, the type can be found on the identification tag of the robot.



1.1 Description of the robot

The CR_UGD21500 Delta robot is a high speed pick and place robot which uses carbon fiber, stainless steel and aluminum materials and the latest servo drive technology to be put in use in the most demanding pick and place applications. The robot is designed as a 2-axis (optional 3rd rotational axis) Delta kinematic system.

Characteristics of the robot:

- Requires very low maintenance
- 2 + 1 (rotational axis optional) degrees of freedom
- Compact design for mounting in a machine
- Low noise level < 70 dB (A)

1.2 Type code explanation

CR_UGD21500_R: 2 + 1 axes (with rotational axis), 1500 mm working range, max. payload: 35 kg

CR_UGD21500_NR: 2 axes (without rotational axis), 1500 mm working range, max. payload: 35 kg

2. Identification

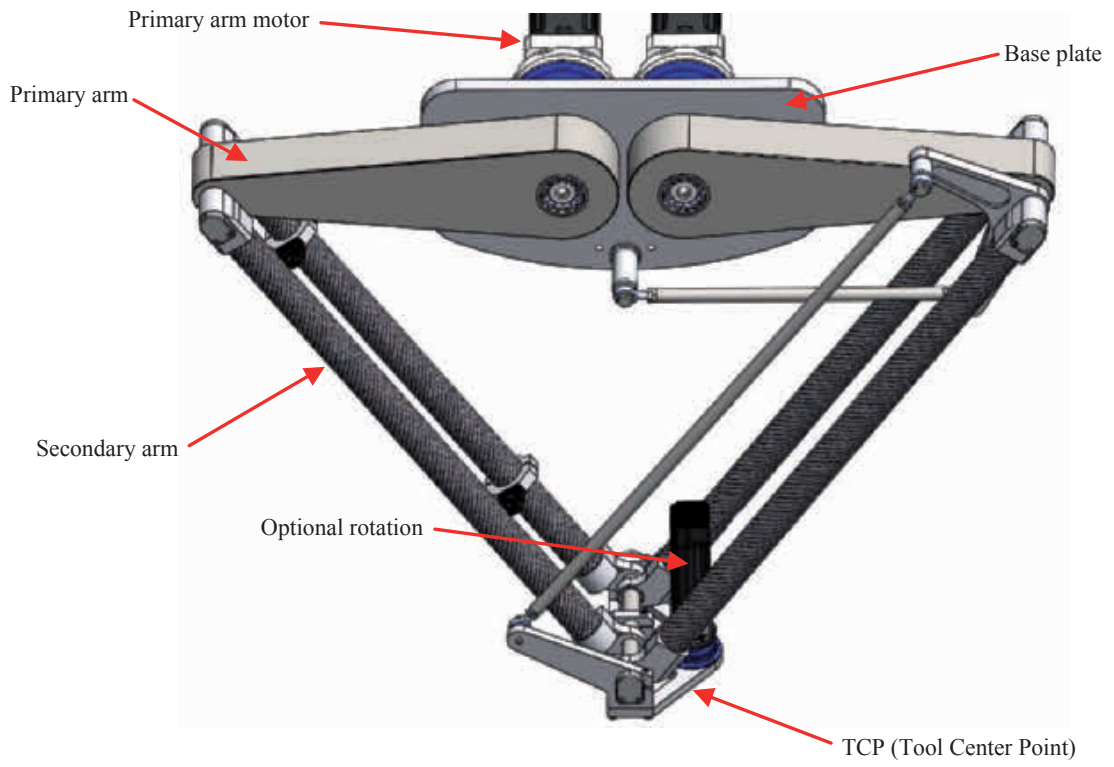
On the robot base plate an identification tag is mounted, important data on this plate:

- Robot type
- Total weight of the robot
- Month and year of production
- Serial number, important for ordering spare parts

3. Part names

1

CR_UGD21500 series



Chapter 2 Model overview

Contents

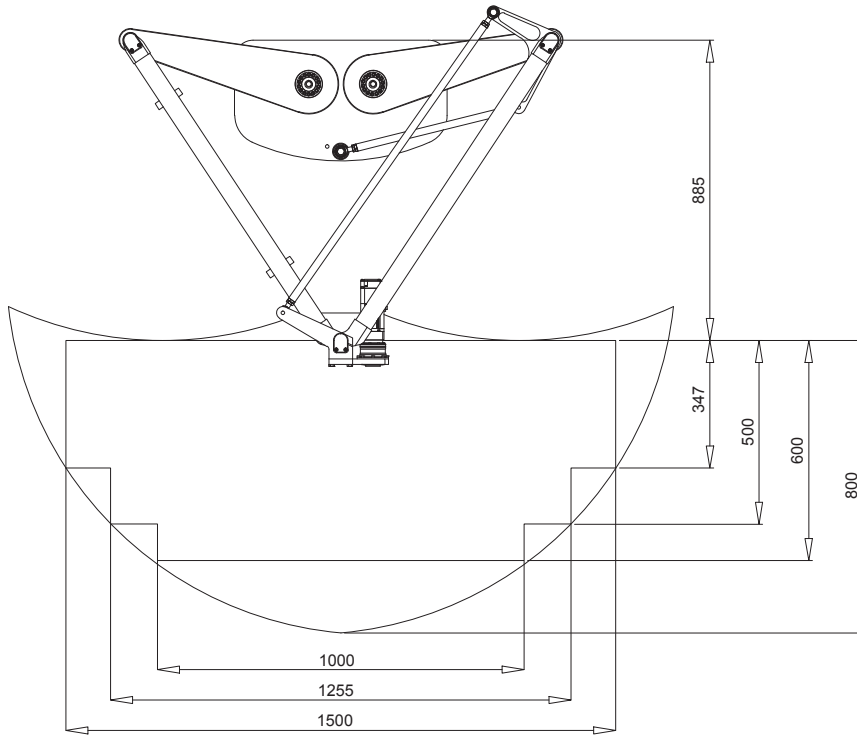
1. Overview

2-1

1. Overview

The CR_UGD21500 has a working range of 1500 mm. The specifications are given in the below figure, if specifications differ for models, for instance with or without rotational axis, it is indicated in the specification list.

CR_UGD21500 (1500 mm)



NOTE

Note that the rotation servo motor is optional.

Chapter 3 Installation

Contents

1. Unpacking	3-1
1.1 Unpacking the shipping box	3-1
1.2 Check the damage	3-1
1.3 Lifting and transportation	3-1
2. Mounting the robot	3-3
3. Calibration	3-4

1. Unpacking

1.1 Unpacking the shipping box

The robot comes in a special shipping box.

The following step must be carried out to remove the cover from the box:

- Unscrew the screws from the cover of the wooden box
- Now remove the cover

1.2 Check the damage

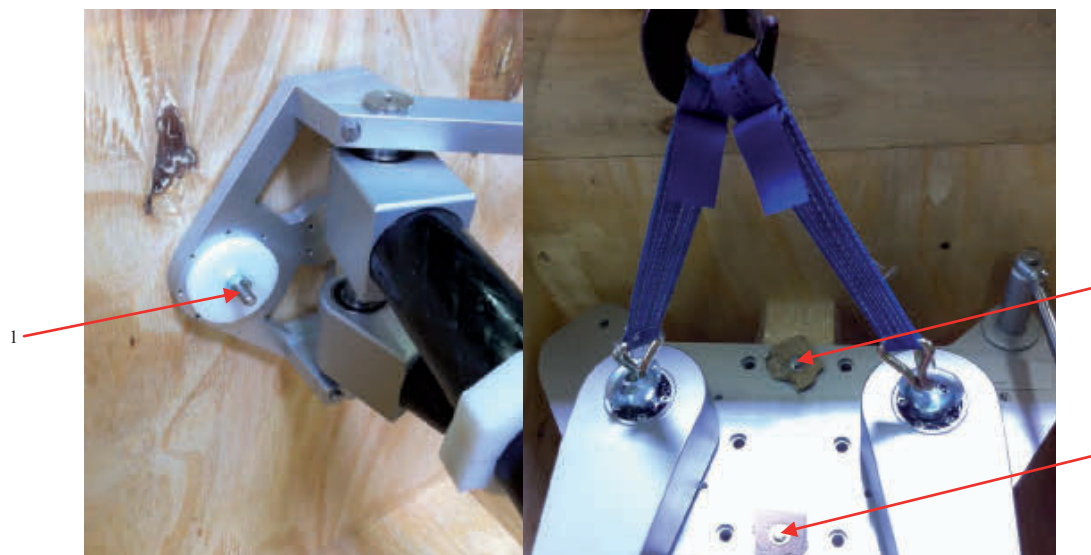
First take out the individual components from the package and check that everything is correct.

Check all the components and the robot for transportation damage.

1.3 Lifting and transportation

Before the robot is lifted, it must be ensured that it is free from obstructions.

Remove all the screws where the robot is mounted with in the box.

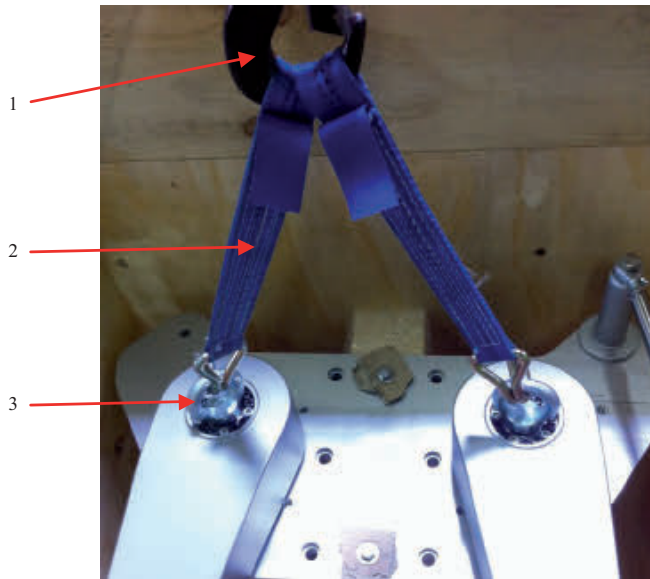


No.	Description
1	3 x screws with protection material

The robot must be lifted by at least 2 persons and transported by using lifting tackle or a forklift truck. Two lifting straps has to be attached into two eyebolts that are screwed into the gearbox shafts. The lifting straps has to be long enough and must be routed in such a way that the robot is not damaged.

**WARNING**

- THE ROBOT MAY TILT DURING TRANSPORTATION.
- ADDITIONAL SAFEGUARDING MEASURE MUST BE TAKEN.
- WEAR SUITABLE PROTECTIVE CLOTHING IF NECESSARY.
- WHEN USING A FORKLIFT TRUCK, DRIVE EXTREMELY SLOWLY AND CAREFULLY.



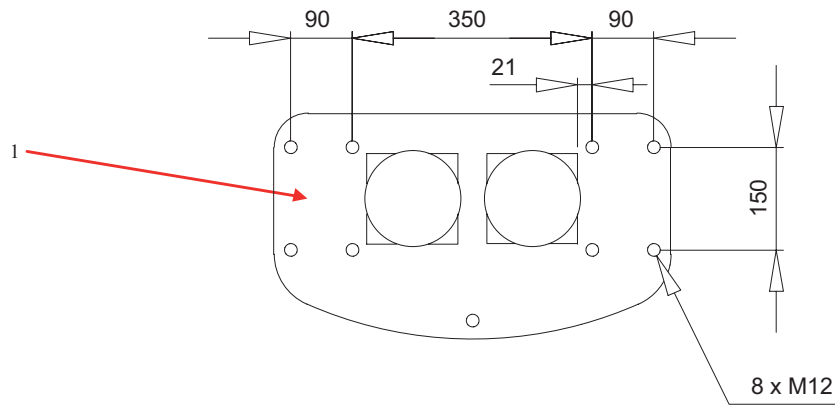
No.	Description
1	Lifting tackle
2	2 x lifting straps
3	2 x eyebolts

2. Mounting the robot

The mounting surface for the robot must be machined and of an appropriate quality. It's also possible to use a levelling element to align the robot.

Eight M12 bolts are needed to mounting the robot to the frame, exact bolt length depends on frame layout. The tightening torque of a M12 8.8 bolt is 100Nm.

The below figure shows the mounting pattern from the robot.



No.	Description
1	Back side baseplate



WARNING

- THE ROBOT MAY HIT THE FRAME.
- THE ROBOT COULD BE DAMAGED.
- MAINTAIN THE MINIMUM CLEARANCE OF 60 mm WHEN INSTALLING THE ROBOT.

60 mm
(clearance)



3. Calibration

No every robot that is delivered is calibrated.

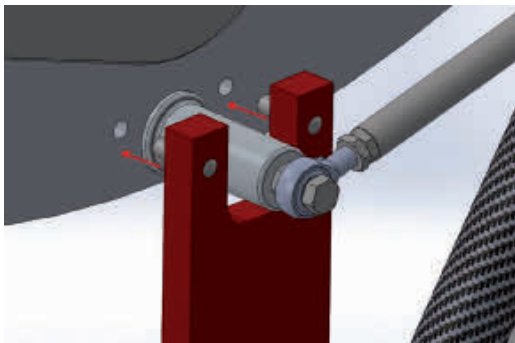
If you want to calibrate the robot by yourself, a calibration set with a special tool is available (shown in the below picture).

The calibration set can be ordered as CR_ART.1347.

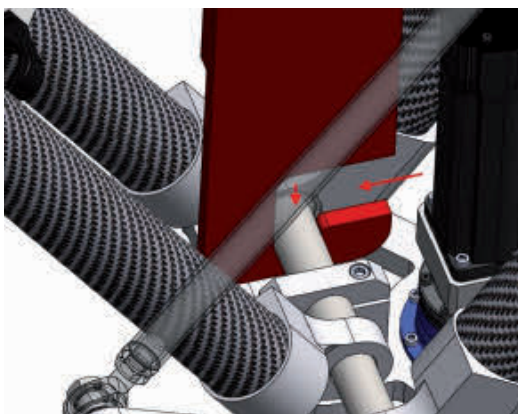


No.	Description
1	Calibration set (including suitcase)

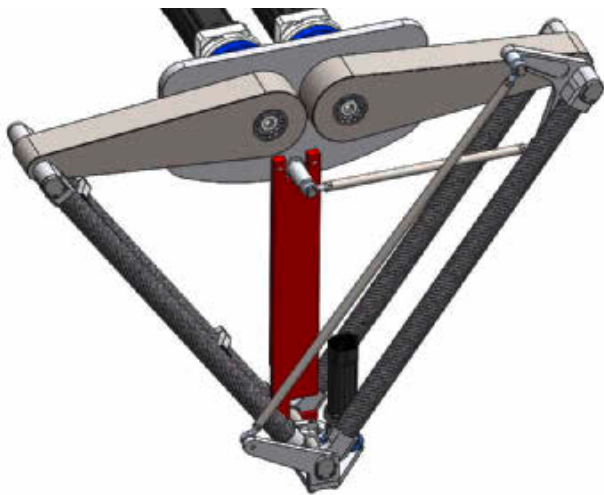
The following steps must be carried out to put the two upper arms from the robot in the zero position. Please see also the below pictures:



- Release the motor brake and make sure all the primary arms are rotated down far enough, so the calibration tool could be mounted
- Now fix the motor brake from the motors
- Put the fork on the baseplate as shown in the below picture



- Release the motor brake from the motors
- Now place the TCP shaft into the fork from the calibration tool

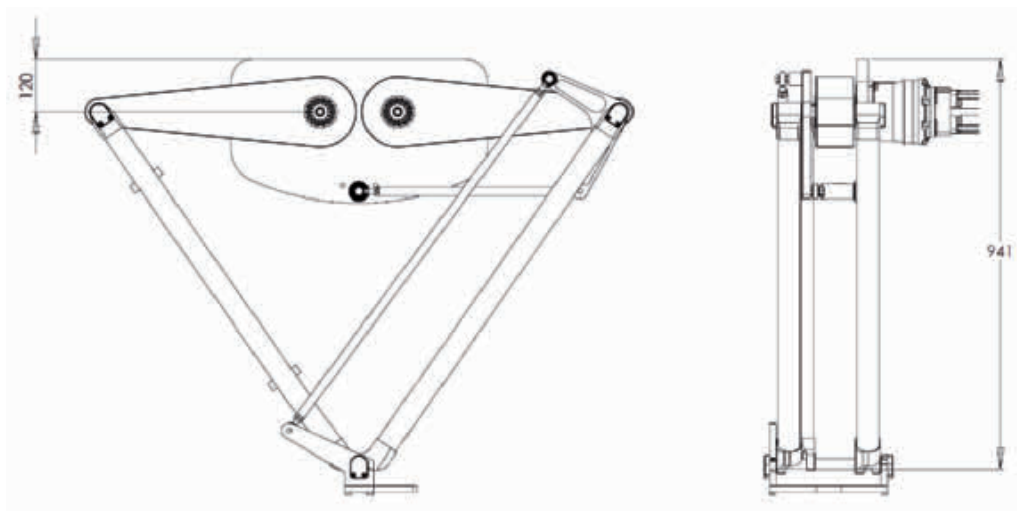


- Now the robot is in zero position


WARNING

- CALIBRATING THE ROBOT MUST BE CARRIED OUT BY QUALIFIED PROGRAMMING PERSONNEL ONLY, AS THIS REQUIRES AN EXCELLENT LEVEL OF KNOWLEDGE OF THE CONTROL SYSTEM.
- WHEN CARRYING OUT THE HOMING YOURSELF, THIS MUST BE CARRIED OUT EXACTLY IN THE WAY AND THE ORDER THAT THEY ARE DESCRIBED.

- Now all the primary arms are in zero position from the kinematic model
- Now put the encoder values from the servo motors in 0°
- Check that the angle indicated for the three motors is $0^\circ (\pm 0.1^\circ)$
- Your robot is now calibrated
- Remove the calibration tool



Chapter 4 Maintenance

Contents

1. Periodic maintenance	4-1
1.1 Rod ends	4-1
2. Cleaning the robot	4-2
3. Spare parts	4-2

1. Periodic maintenance

Before working on the robot, please be ensured that the machine where the robot is built in, is totally switched off.



DANGER

- SWITCH OFF THE MACHINE (SYSTEM) WHERE THE ROBOT IS BUILT IN (E.G. WITH A PADLOCK) TO PREVENT IT FROM BEING SWITCHED ON AGAIN.
- LABEL THE MACHINE (SYSTEM) WITH A SIGN INDICATION THAT WORK IS IN PROGRESS. THIS SIGN MUST REMAIN IN PLACE, EVEN DURING TEMPORARY INTERRUPTIONS TO THE WORK.
- THE EMERGENCY STOP FROM THE MACHINE (SYSTEM) MUST REMAIN ACTIVE. IF SAFETY FUNCTIONS OR SAFEGUARDS ARE DEACTIVATED DURING MAINTENANCE OR REPAIR WORK, THEY MUST BE REACTIVATED IMMEDIATELY AFTER THE WORK IS COMPLETED.

1.1 Rod ends

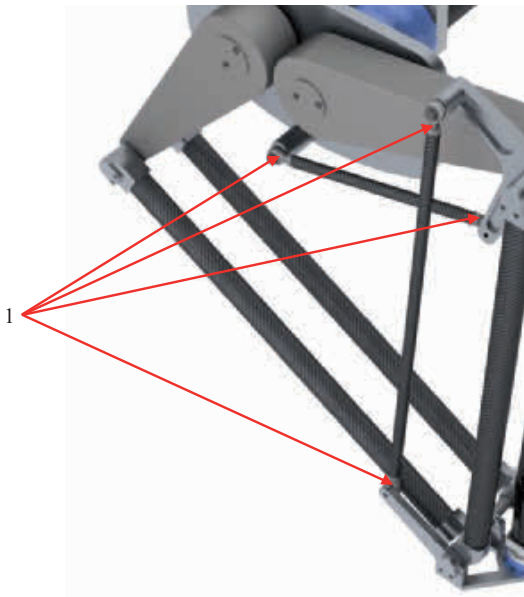
How to maintain the rod ends:

- The rod ends have to be checked every 6000 working hours or once a year. When there is less grease inside, refill them with Mobil Polyrex EP2
- For spare parts, see **Section 3 Spare parts** in this chapter



WARNING

- WEAR SUITABLE PROTECTIVE CLOTHING AND SAFETY GLASSES.



No.	Description
1	Rod ends

2. Cleaning the robot

Clean the robot by washing with soft cloth or sponge. Use soap or mild detergent and warm water followed by clear water rinse.

For oil and grease stains use alcohol with soft cloth.

Do not use a high pressure water cleaner, or any other high pressure cleaning device.

3. Spare parts

Description		OMRON Part No.
Reaction shaft long	1 x reaction shaft	CR_ART.1063-1
Reaction shaft short	1 x reaction shaft	CR_ART.1064-1
Rod end bearing left thread	1 x rod end bearing / 1 x nut	CR_ART.1055
Rod end bearing right thread	1 x rod end bearing / 1 x nut	CR_ART.1056
Secondary arm set 1	3 x bearing / 1 x circlip / 1 x secondary arm	CR_ART.1051
Shaft mounting bush back	1 x shaft mounting bush	CR_ART.1053
Shaft mounting bush front	1 x shaft mounting bush	CR_ART.1054
Secondary arm set 2	3 x bearing / 1 x circlip / 1 x secondary arm	CR_ART.1052
Calibration set	1 x calibration tool	CR_ART.1347

Chapter 5 Robot settings

Contents

1. Kinematics	5-1
2. Workspace	5-2
3. Software limits	5-3

1. Kinematics

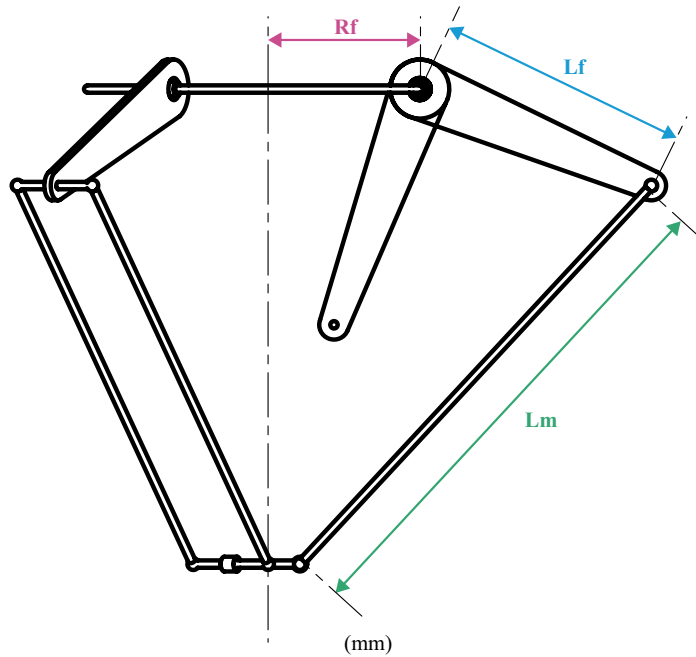
The kinematics parameters for the CR_UGD21500 robot are shown below. Set these parameters corresponding to the controller settings.



WARNING

IF THE KINEMATICS PARAMETERS ARE NOT SET PROPERLY, THIS MAY CAUSE THE ROBOT TO MALFUNCTION. SO, BE SURE TO SET THESE PARAMETERS CORRECTLY.

Kinematics parameters



- Rf:** 87.5 mm Distance (radius) from the center of the fixed frame to the motor of the axis
- Lf:** 500 mm Length of Link 1
- Lm:** 1000 mm Length of Link 2

2. Workspace

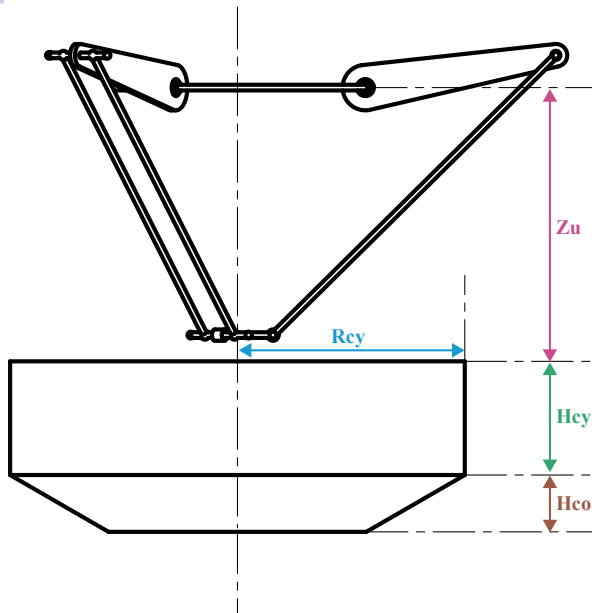
The workspace parameters for the CR_UGD21500 robot are shown below. Set these parameters corresponding to the controller settings.



WARNING

IF THE WORKSPACE PARAMETERS ARE NOT SET PROPERLY, THIS MAY CAUSE THE ROBOT TO MALFUNCTION. SO, BE SURE TO SET THESE PARAMETERS CORRECTLY.

Workspace parameters



- Zu:** -699 mm Distance from the Z-axis origin position
Rcy: 750 mm Radius of the cylinder
Hcy: 347 mm Height of the cylinder
Hco: 453 mm Height of the frustum cone

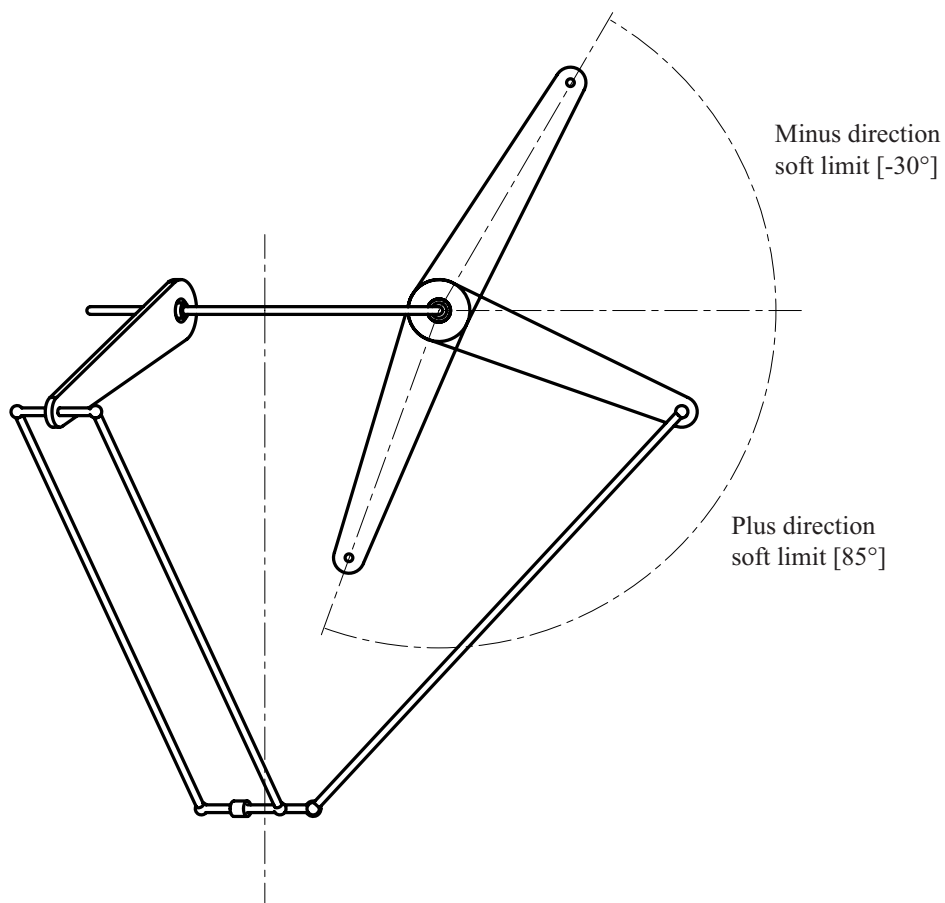
3. Software limits

The software limits for the CR_UGD21500 robot are shown below.



WARNING

IF THE α - β - OR γ - AXIS SOFT LIMIT IS SET INCORRECTLY, THE ARM MAY COLLIDE WITH THE ROBOT BASE OR BASE PREPARED BY THE USER, CAUSING BREAKAGE. SO, BE SURE TO SET THE SOFT LIMITS CORRECTLY.



Chapter 6 Specifications

Contents

1. Basic specifications	6-1
1.1 Cycle time	6-1
2. External view and dimensions	6-2
3. Design specifications	6-3
3.1 Occupation area of robot	6-3
3.2 Gripper interface	6-4
3.3 Software design	6-6
3.3.1 Dimensions and limits	6-6

1. Basic specifications

Robot model			CR_UGD21500_R	CR_UGD21500_NR
Working volume	X, Y axis	Stroke	Ø1500mm	
	Z axis	Stroke	347mm (max. Ø1500mm)	
	θ axis	Rotation range	±180° (default setting, it can be changed)	
Servo motor	Arm 1, 2		3000W	
	Rotational axis 3		400W	
Repeatability *1	X, Y, Z axis		±0.4mm	
	θ axis		±0.2°	
Maximum through-put *2			45 CPM*4	
Maximum payload			35kg	
θ axis tolerable moment of inertia *3			According to the servo motor	
Travel limit			Soft limit	
Noise level			< 70 dB (A)	
Ambient temperature			5°C to 45°C	
Relative humidity			Max. 90%	
Protection class			IP65	
Weight			80kg	

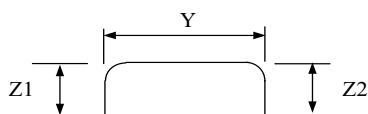
*1: This is the value at a constant ambient temperature.

*2: With 5 kg payload. When reciprocating 500 mm in vertical, 300 mm in horizontal and 100 mm in vertical directions.

*3: There are limits to acceleration coefficient settings.

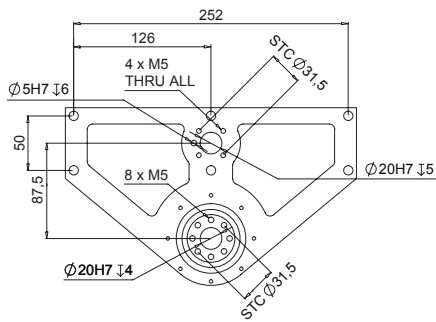
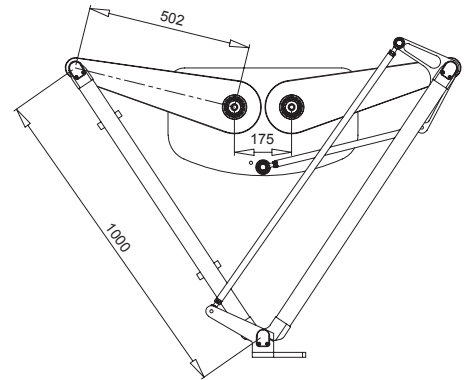
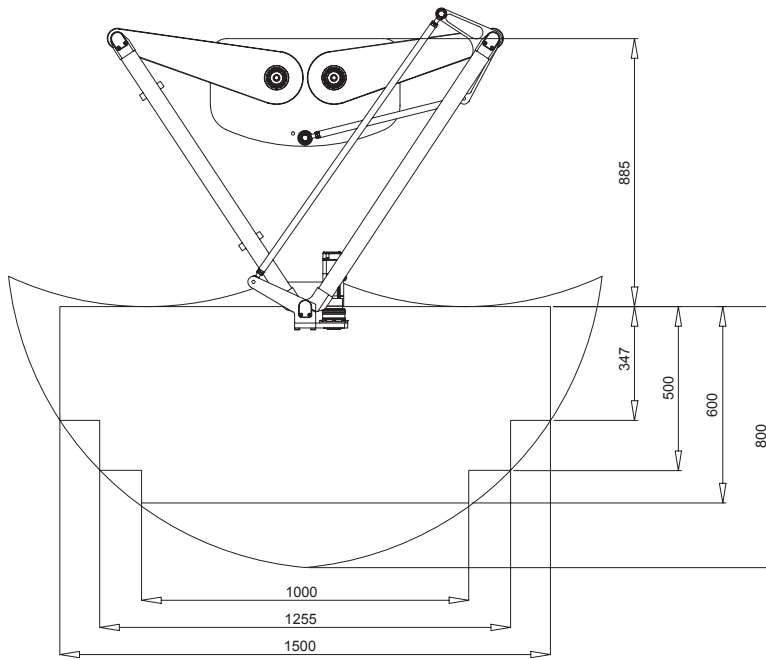
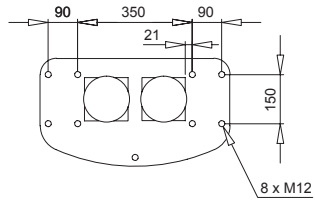
*4: CPM: Cycle per minutes. Check the note 2 for the cycle definition.

1.1 Cycle time



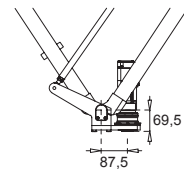
P&P path	Payload	Cycle time
500 x 300 x 100 mm (Z1 x Y x Z2)	5 kg	1.27 s
	10 kg	1.78 s
	35 kg	2.07 s
200 x 500 x 300 mm (Z1 x Y x Z2)	5 kg	1.77 s
	10 kg	2.47 s
	35 kg	2.80 s

2. External view and dimensions

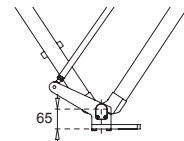


Gripper dimensions

With rotational axis



Without rotational axis

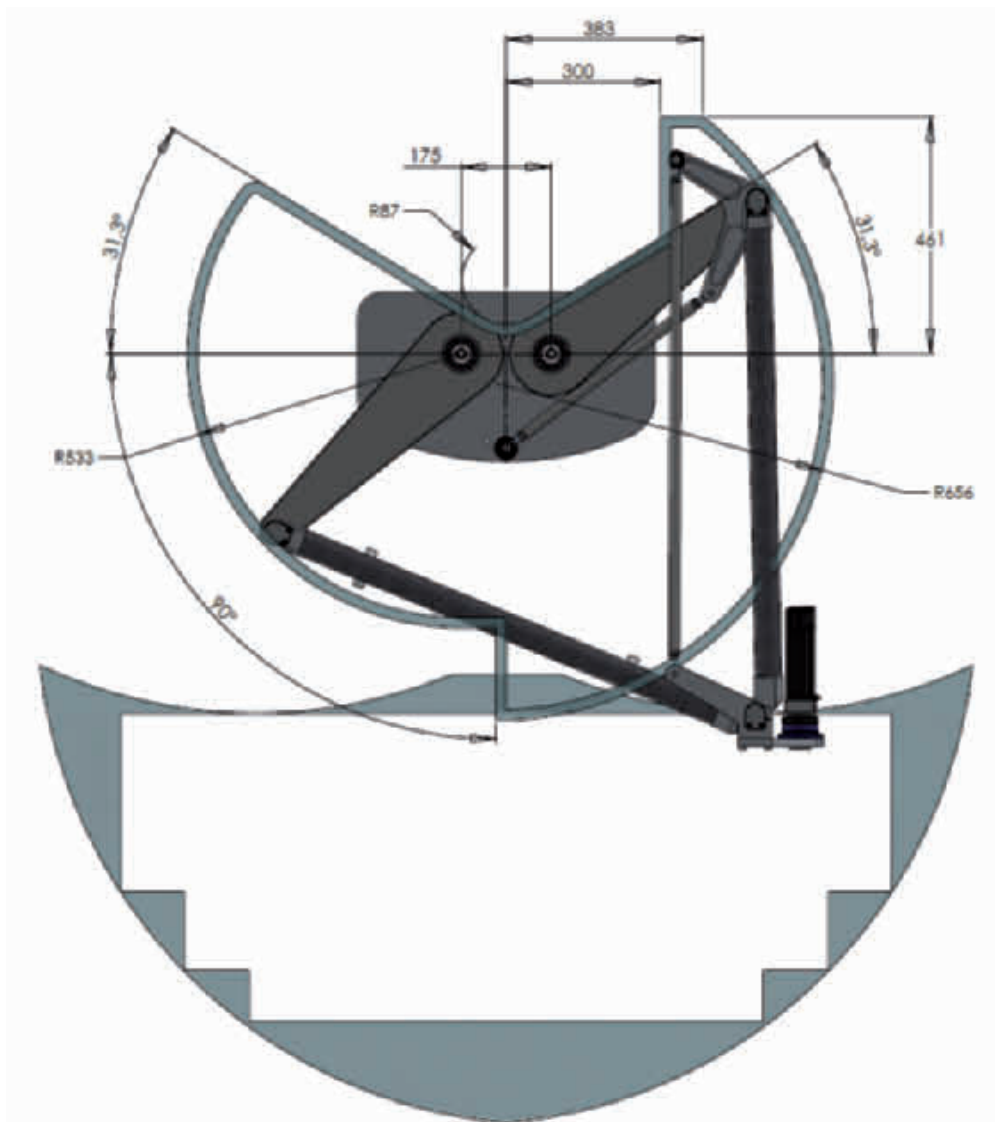


3. Design specifications

3.1 Occupation area of robot

If the robot is integrated into the machine it must be considered what the reach is of all robot parts to prevent collision with other parts in the machine.

When the TCP moves to its outer positions, the primary and secondary arms can rise above the baseplate, take care that no mechanical obstructions are in the areas indicated in the below picture.



WARNING

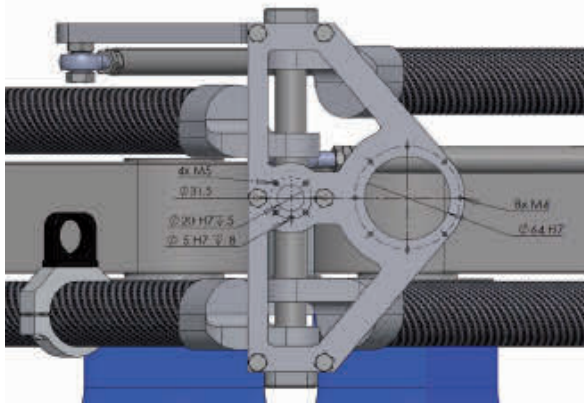
IF MECHANICAL OBSTRUCTIONS ARE IN THE INDICATED AREAS, THE ROBOT OR THE OTHER MACHINE PARTS COULD BE DAMAGED.

3.2 Gripper interface

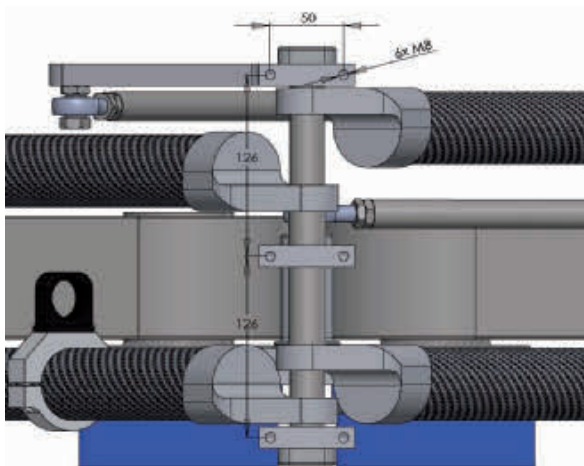
The below picture shows you the gripper connection sizes from the CR_UGD21500 robot. The gripper connection sizes for the robot with or without rotational axis are different.

Gripper interface for robots without rotational axis

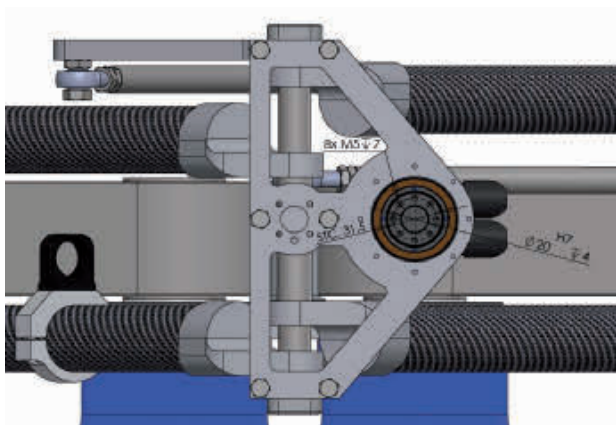
The robot will be delivered with a gripper plate. When you use the gripper plate you have the connection dimensions as shown in the below picture.



When you don't use the gripper plate, you can mount your own gripper on the robot. Then you could use the mounting holes as shown on the below picture.



Gripper interface for robots with rotational axis



Loading the gripper

The design of the gripper that is mounted under the robot have great influence on the performance of the robot. Both the weight of the gripper and the distance of the center of gravity of the gripper to the TCP base point have negative influence on the final performance of the robot.

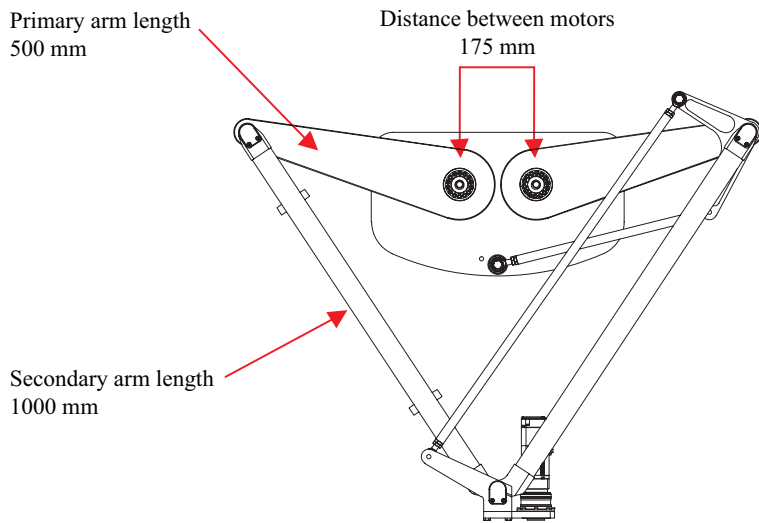
If you need to install cabling for the gripper, please follow the following steps:

- Mount the cables on the baseplate or frame, near the turning point from the primary arm on the gearbox
- Mount the cables on the primary arm, with ty-raps or clamping parts
- Keep a big loop at the hinge point from the primary and secondary arm
- Mount the cables on the secondary arm, with ty-raps or clamping parts
- Keep a big loop from the lowest mounting point at the secondary arm till the connection on the gripper
- Pneumatic correction devices or centring fixtures on the gripper must work in both directions. Non-symmetrical mechanisms can cause vibration in the robot mechanics

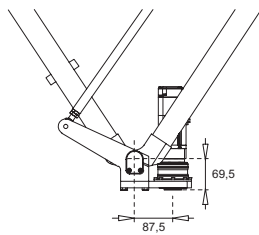


3.3 Software design

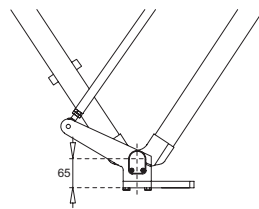
The arm lengths and distance between motors are shown in the below picture.



Offset with rotational axis

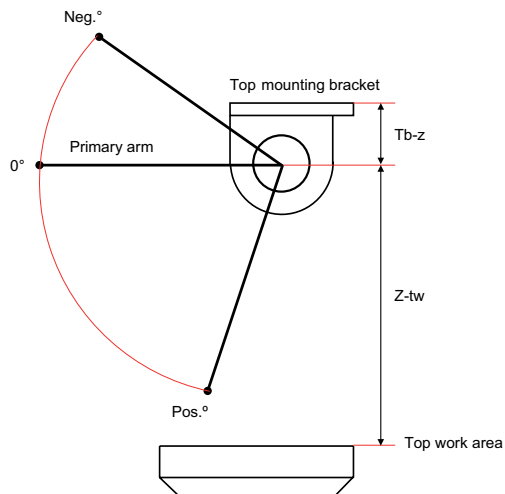


Offset without rotational axis



3.3.1 Dimensions and limits

Description	Value
Negative software limit	-37°
Positive software limit	90°
Tb-z (top baseplate to zero position)	120 mm
Z-tw (zero position to top work area)	699 mm



Revision history

A manual revision code appears as a suffix to the catalog number on the front cover manual.

Cat. No. I206E-EN-01A



The following table outlines the changes made to the manual during each revision.

Revision code	Date	Description
01	November 2016	Original production
01A	December 2016	Small correction

OMRON

Authorized Distributor: